

SWITCHES



Key Switch	266
Security Devices	266
Shunts	268
Surface Mount Switches	269
Switches	
Accessories	
Caps	255, 256
Hardware.....	261
Magnetic Contacts	266
Programming Hand Tool.....	268
Pushwheel.....	267
Quick Mount Replacement Tool.....	
.....	263
Replacement Lamps and LED's	263
Binary Coded Rotary	267
DIP	268, 269

Switches (cont.)	
Hexadecimal Pushwheel.....	267
Illuminated	259, 263, 265
Intra	150
Keylock	266
Keypad	265
Miniature	254-260,
.....	262-265, 267
Programmable	268
Pushbutton	255, 256, 262-265
Reed	266
Rocker	255, 262, 263
Rotary	261, 267
Sealed	254, 255
Security	266
Slide	255, 262
Snap	260
Surface Mount	265, 266

Switches (cont.)	
Tact	256
Thumbwheel	267
Tilt.....	266
Toggle	254, 256-260

Manufacturers:

3M	150
Amp	268
Amseco	266
C&K / Selecta	256
E-Switch	254-256
MEC	265
Mountain Switch.....	257-260,
.....	263-265, 267, 269

Main
Menu

New
This Issue

Products

Vendors

Service

Spec
Sheets

Help

Connectors, Switches, Plugs, Jumpers, and Headers

3M INTRA-CONNECTORS

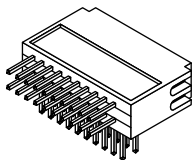
The Intra-Connector makes inaccessible circuits accessible for testing by providing probe pins in-line between ribbon cable sockets and standard mating. .100" x .100" board connectors.

Features:

- Includes one set of female contacts and two sets of male contacts at right angles
- Male contacts are standard .025" square pins

For quantities greater than listed, call for quote.

MOUSER STOCK NO.	No. of Contacts	Price Each		
		1	25	100
517-922576-20	20	9.84	9.05	8.56
517-922576-26	26	11.35	10.44	9.87
517-922576-34	34	13.21	12.15	11.49
517-922576-40	40	14.72	13.54	12.81
517-922576-50	50	16.10	14.81	14.01
517-922576-60	60	19.15	17.62	16.66



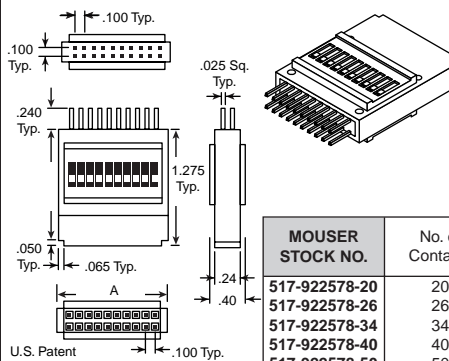
3M INTRA-SWITCHES

Inserting the Intra Switch connector between mating system connectors, you have instant line-by-line switching. Applications include switching command signals to or from test equipment and programming optional preset logic functions.

Features:

- "Open" and "closed" position indicators are molded-in for easy identification
- Contacts are non-corrosive alloy 770

For quantities greater than listed, call for quote.



U.S. Patent 4,029,914

MOUSER STOCK NO.	No. of Contacts	Dim. "A"	Price Each		
			1	25	100
517-922578-20	20	1.16	14.78	13.60	12.86
517-922578-26	26	1.46	16.99	15.63	14.78
517-922578-34	34	1.86	19.79	18.21	17.22
517-922578-40	40	2.16	22.00	20.24	19.14
517-922578-50	50	2.66	25.72	23.66	22.38

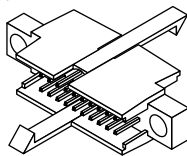
AUGAT CROSSOVER HEADERS, FEMALE TO FEMALE

Specifications:

- Insulator is glass filled polyester
- Contacts are nickel-silver alloy 770
- Standard .025" contact
- Reinforced thermoplastic latches

For quantities greater than listed, call for quote.

MOUSER STOCK NO.	No. of Pins	Price Each		
		1	100	500
506-110-20003-201	20	21.12	19.20	17.55
506-110-40003-201	40	28.89	26.26	24.00



CA STRIP LINE PLUGS

Features:

- Post material: phosphor bronze, gold plate over nickel
- Insulator: glass filled nylon, black, UL94V-0
- Side notches for ease of breaking into any number of contacts
- .100" spacing (.1" x .1" dual row)

Right Angle PC

For quantities greater than listed, call for quote.

MOUSER STOCK NO.	Total Positions	Price Each		
		1	50	100
544-CA-S36RSP100	36 single row	3.39	2.80	2.34
544-CA-D72RSP100	72 dual row	6.77	5.59	4.67

Straight PC

For quantities greater than listed, call for quote.

MOUSER STOCK NO.	Total Positions	Price Each		
		1	100	500
544-CA-S36SP100	36 single row	2.11	1.77	1.61
544-CA-D72SP100	72 dual row	4.21	3.75	3.21

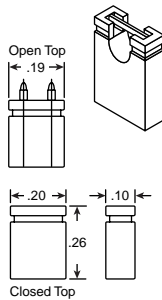
SHORTING JUMPERS

Features:

- Fits all standard .100" space headers
- Low insertion and withdrawal forces
- Nail grip for easy removal
- Gold plated
- Open-ended option permits stacking and probe testing
- Operating temperature: -65°C to +150°C

For quantities greater than listed, call for quote.

MOUSER STOCK NO.	Color	Open/Closed Top	Price Each			
			1	100	500	1000
151-8000	Black	Open	.24	.19	.17	.15
151-8001	Blue	Open	.24	.19	.17	.15
151-8003	Red	Open	.24	.19	.17	.15
151-8010	Black	Closed	.24	.19	.17	.15
151-8011	Blue	Closed	.24	.19	.17	.15
151-8013	Red	Closed	.24	.19	.17	.15



THUMB PULL SHORTING JUMPERS

Specifications

- Current rating: 3.0 amp
- Contact resistance: 7mΩ
- Insertion force: 80 grams
- Withdrawal force: 112 grams
- Gold plated contacts

For quantities greater than listed, call for quote.

MOUSER STOCK NO.	Color	Price Each			
		1	100	500	1000
151-8030	Black	.35	.23	.21	.19
151-8031	Blue	.35	.23	.21	.19
151-8033	Red	.35	.23	.21	.19

COMPONENT HEADERS

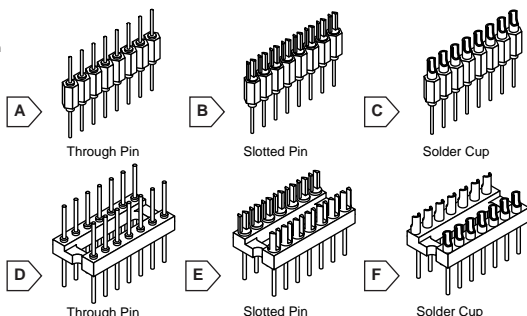
Component headers allow discrete components to be assembled to a standard SIP/DIP base. It then can be plugged into a socket or soldered directly to a PC board.

Specifications:

- Current rating: 3 amp
- Temperature range: -55°C to +125°C
- Flammability rating: UL94V-0

Materials:

- Insulator: PBT 30% glass filled polyester
- Contact: precision machined, gold plated brass
- Pin: gold plated brass



* With break-a-way features

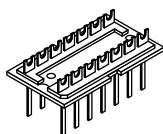
For quantities greater than listed, call for quote.

MOUSER STOCK NO.	Fig.	No. of Pins	Plating	Pin Spacing (In.)	Price Each			
					1	100	500	1000
SIP Through Pin Solder Tail	A	32	Gold	.100	3.66	3.31	2.87	2.59
* 151-8432	A	32	Gold	.100	5.00	4.53	3.93	3.53
SIP Slotted Pin Solder Tail	B	32	Gold	.100	5.35	4.84	4.20	3.78
* 151-8532	B	32	Gold	.100	5.35	4.84	4.20	3.78
SIP Solder Cup Solder Tail	C	32	Gold	.100	3.22	2.53	2.30	2.07
* 151-8632	C	32	Gold	.100	3.68	2.90	2.63	2.37
DIP Through Pin Header	D	14	Gold	.30 x .100	3.22	2.61	2.37	2.14
151-71314	D	16	Gold	.30 x .100	3.68	2.90	2.63	2.37
151-71316	D	16	Gold	.30 x .100	3.22	2.61	2.37	2.14
DIP Slotted Pin Header	E	14	Gold	.30 x .100	3.68	2.90	2.63	2.37
151-72314	E	16	Gold	.30 x .100	3.22	2.53	2.30	2.07
151-72316	E	16	Gold	.30 x .100	3.68	2.90	2.63	2.37
DIP Solder Cup Header	F	14	Gold	.30 x .100	3.22	2.53	2.30	2.07
151-73314	F	16	Gold	.30 x .100	3.68	2.90	2.63	2.37
151-73316	F	16	Gold	.30 x .100	3.68	2.90	2.63	2.37

AUGAT DIP COMPONENT HEADERS

Features:

- Thermoplastic polyester insulator, UL rated 94V-0
- Phosphor bronze pins, gold or tin plated
- Pin spacing: .300" x .100"

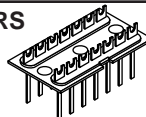


For quantities greater than listed, call for quote.

MOUSER STOCK NO.	Contact Plating	No. of Pins	Price Each		
			1	100	500
506-614-DG6	Tin	14	1.48	1.37	1.16
506-616-DG6	Tin	16	1.69	1.57	1.32
506-628-CG2T	Tin	28	5.63	5.12	4.66
506-614-DG5	Gold	14	1.75	1.63	1.38
506-616-DG5	Gold	16	2.00	1.86	1.57

COMPONENT HEADERS

These component headers are available without (T-1) or with nylon covers in three heights, low (T-2), tall (T-3) and very tall (T-4), to meet your specific requirement.



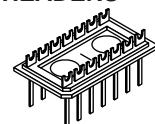
For quantities greater than listed, call for quote.

MOUSER STOCK NO.	No. of Pins	Cover Height (In.)	Price Each			
			1	100	500	1000
151-314T1	14	W/O	.75	.51	.46	.41
151-316T1	16	W/O	.83	.55	.51	.46
151-624T1	24	W/O	1.27	.98	.89	.81
151-314T2	14	.20	.79	.53	.48	.44
151-316T2	16	.20	.78	.60	.54	.49
151-624T2	24	.30	1.24	.95	.86	.78
151-314T3	14	.41	.78	.60	.54	.49
151-316T3	16	.41	.86	.67	.61	.55
151-624T3	24	.61	1.30	1.00	.91	.83
151-624T4	24	.88	1.36	1.05	.95	.86

CA DIP COMPONENT HEADERS

Specifications:

- Current rating: 1 amp
- Temperature range: -65°C to +125°C
- Contacts: gold or tin plated brass



Tin Plated Contacts

For quantities greater than listed, call for quote.

MOUSER STOCK NO.	Total Positions	Price Each		
		1	25	100
544-14PT-02	14	.68	.65	.54
544-16PT-02	16	.73	.69	.58
544-24PT-02	24	1.15	1.09	.92

Gold Plated Contacts

544-16P-02	16	1.05	.99	.70
------------	----	------	-----	-----

IDC Connector • Not illustrated

544-CA-14-IDP	14	1.06	.90	.83
---------------	----	------	-----	-----

NEW!

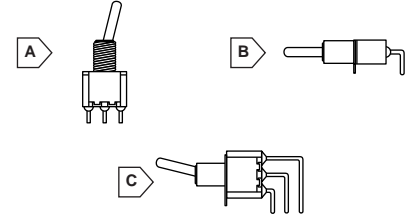
E-SWITCH® Toggle Switches

Specifications for 100 & 100A Series:

- Contact resistance: 10mΩ max. initial @ 2-4VDC 100mA for both silver and gold plated contacts.
- Insulation resistance: 1,000MΩ min.
- Dielectric strength: 1,000VRMS @ sea level
- Operating temperature: -30°C to 85°C

Specifications for 200 & 200A Series:

- Contact resistance: 20mΩ max. initial @ 2-4VDC 100mA for both silver and gold plated contacts.
- Insulation resistance: 1,000MΩ min.
- Dielectric strength: 1,000VRMS @ sea level
- Operating temperature: -30°C to 85°C



Miniature Toggle Switches, 100 Series

For quantities greater than listed, call for quote.

MOUSER STOCK NO.	Fig.	Manufacturer's Part Number	Type	Circuit	Options			Contact Material Options	Price Each			
					Actuator	Bush.	Term.		1	10	50	100
612-100-A1111	A	SP1T1B1M1QE	SPDT	On-On	T1	B1	M1	Q	2.80	2.58	2.10	1.68
612-100-A1121	A	SP1T1B1M2QE	SPDT	On-On	T1	B1	M2	Q	2.80	2.58	2.10	1.68
612-100-A1421	A	SP1T1B4M2QE	SPDT	On-On	T1	B4	M2	Q	2.80	2.58	2.10	1.68
612-100-A2111	A	SP1T2B1M1QE	SPDT	On-On	T2	B1	M1	Q	2.80	2.58	2.10	1.68
612-100-A2311	A	SP1T2B3M1QE	SPDT	On-On	T2	B3	M1	Q	2.80	2.58	2.10	1.68
612-100-A2321	A	SP1T2B3M2QE	SPDT	On-On	T2	B3	M2	Q	2.80	2.58	2.10	1.68
612-100-A2461	B	SP1T2B4M6QE	SPDT	On-On	T2	B4	M6	Q	4.05	3.73	3.04	2.43
612-100-A6111	A	SP1T6B1M1QE	SPDT	On-On	T6	B1	M1	Q	3.85	3.54	2.89	2.31
612-100-A6121	A	SP1T6B1M2QE	SPDT	On-On	T6	B1	M2	Q	3.85	3.54	2.89	2.31
612-100-A1112	A	SP1T1B1M1RE	SPDT	On-On	T1	B1	M1	R	3.05	2.81	2.29	1.83
612-100-A1122	A	SP1T1B1M2RE	SPDT	On-On	T1	B1	M2	R	3.05	2.81	2.29	1.83
612-100-A1462	B	SP1T1B4M6RE	SPDT	On-On	T1	B4	M6	R	4.30	3.96	3.23	2.58
612-100-A2462	B	SP1T2B4M6RE	SPDT	On-On	T2	B4	M6	R	4.30	3.96	3.23	2.58
612-100-A2472	C	SP1T2B4M7RE	SPDT	On-On	T2	B4	M7	R	4.40	4.05	3.30	2.64
612-100-A6112	A	SP1T6B1M1RE	SPDT	On-On	T6	B1	M1	R	4.10	3.77	3.08	2.46
612-100-A6461	B	SP1T6B4M6RE	SPDT	On-On	T6	B4	M6	R	5.35	4.92	4.01	3.21
612-100-A1482	A	SP1T1B4VS2RE	SPDT	On-On	T1	B4	VS2	R	4.17	3.84	3.13	2.50
612-100-B1111	A	SP2T1B1M1QE	SPDT	On-(On)	T1	B1	M1	Q	3.01	2.77	2.26	1.81
612-100-C1111	A	SP3T1B1M1QE	SPDT	On-Off-On	T1	B1	M1	Q	3.15	2.90	2.36	1.89
612-100-C1112	A	SP3T1B1M1RE	SPDT	On-Off-On	T1	B1	M1	R	3.40	3.13	2.55	2.04
612-100-C1121	A	SP3T1B1M2QE	SPDT	On-Off-On	T1	B1	M2	Q	3.15	2.90	2.36	1.89
612-100-C1462	B	SP3T1B4M6RE	SPDT	On-Off-On	T1	B4	M6	R	4.65	4.28	3.49	2.79
612-100-C2462	B	SP3T2B4M6RE	SPDT	On-Off-On	T2	B4	M6	R	4.65	4.28	3.49	2.79
612-100-C6111	A	SP3T6B1M1QE	SPDT	On-Off-On	T6	B1	M1	Q	4.20	3.86	3.15	2.52
612-100-D1111	A	SP4T1B1M1QE	SPDT	(On)-Off-(On)	T1	B1	M1	Q	3.57	3.28	2.68	2.14
612-100-D1121	A	SP4T1B1M2QE	SPDT	(On)-Off-(On)	T1	B1	M2	Q	3.57	3.28	2.68	2.14
612-100-D6121	A	SP4T6B1M2QE	SPDT	(On)-Off-(On)	T6	B1	M2	Q	4.62	4.25	3.47	2.77
612-100-E1111	A	SP5T1B1M1QE	SPDT	On-Off-(On)	T1	B1	M1	Q	3.78	3.48	2.84	2.27
612-100-E1121	A	SP5T1B1M2QE	SPDT	On-Off-(On)	T1	B1	M2	Q	3.78	3.48	2.84	2.27
612-100-E2462	B	SP5T2B4M6RE	SPDT	On-Off-(On)	T2	B4	M6	R	5.28	4.86	3.96	3.17
612-100-L1111	A	DP6T1B1M1QE	SP3T	On-On-On	T1	B1	M1	Q	5.64	5.19	4.23	3.38
612-100-F1111	A	DP1T1B1M1QE	DPDT	On-On	T1	B1	M1	Q	3.75	3.45	2.81	2.25
612-100-F1112	A	DP1T1B1M1RE	DPDT	On-On	T1	B1	M1	R	4.13	3.80	3.10	2.48
612-100-F1121	A	DP1T1B1M2QE	DPDT	On-On	T1	B1	M2	Q	3.75	3.45	2.81	2.25
612-100-F1122	A	DP1T1B1M2RE	DPDT	On-On	T1	B1	M2	R	4.13	3.80	3.10	2.48
612-100-F2311	A	DP1T2B3M1QE	DPDT	On-On	T2	B3	M1	Q	3.75	3.45	2.81	2.25
612-100-F6111	A	DP1T6B1M1QE	DPDT	On-On	T6	B1	M1	Q	4.80	4.42	3.60	2.88
612-100-F6112	A	DP1T6B1M1RE	DPDT	On-On	T6	B1	M1	R	5.18	4.77	3.89	3.11
612-100-F2461	B	DP1T2B4M6QE	DPDT	On-On	T2	B4	M6	Q	5.25	4.83	3.94	3.15
612-100-F2462	B	DP1T2B4M6RE	DPDT	On-On	T2	B4	M6	R	5.63	5.18	4.22	3.38
612-100-H1111	A	DP3T1B1M1QE	DPDT	On-Off-On	T1	B1	M1	Q	4.38	4.03	3.29	2.63
612-100-H1121	A	DP3T1B1M2QE	DPDT	On-Off-On	T1	B1	M2	Q	4.38	4.03	3.29	2.63
612-100-M1111	A	3P1T1B1M1QE	3PDT	On-On	T1	B1	M1	Q	7.70	7.08	5.78	4.62
612-100-M1121	A	3P1T1B1M2QE	3PDT	On-On	T1	B1	M2	Q	7.70	7.08	5.78	4.62
612-100-U1111	A	4P1T1B1M1QE	4PDT	On-On	T1	B1	M1	Q	10.92	10.05	8.19	6.55

DIMENSIONS (IN.)

Actuator Options								
T1			T2			T6		
Series	D	L	Series	D	L	Series	D	L
100	.115	.410	100	.105	.20	100A	.105	.20
100A	.115	.410	200	.100	.21	200A	.100	.21
200	.100	.370						
200A	.100	.400						

Bushing Options								
B1			B2			B3		
Series	NS	H	Series	D	L	Series	D	L
100	1/4-40	.350	100	.105	.20	100A	.105	.20
200	10-48	.220	200	.100	.21	200A	.100	.21

Termination Options								
B4			A1					
Series	H	H	Series	D	L	Series	D	L
100	.280	.235	100	.105	.20	100A	.105	.20
100A	.250	.173 Flat	200	.100	.21	200A	.100	.21

Sealed Miniature Toggle Switches, 100A Series

For quantities greater than listed, call for quote.

MOUSER STOCK NO.	Fig.	Manufacturer's Part Number	Type	Circuit	Options			Contact Material Options	Price Each			
					Actuator	Bush.	Term.		1	10	50	100
612-100A-A1422	A	WSP1T1B4M2R	SPDT	On-On	T1	B4	M2	R	3.04	2.80	2.28	1.82
612-100A-A1462	B	WSP1T1B4M6R	SPDT	On-On	T1	B4	M6	R	4.10	3.77	3.08	2.46
612-100A-A2462	B	WSP1T2B4M6R	SPDT	On-On	T2	B4	M6	R	4.10	3.77	3.08	2.46
612-100A-A2472	C	WSP1T2B4M7R	SPDT	On-On	T2	B4	M7	R	4.52	4.16	3.39	2.71
612-100A-C1422	A	WSP3T1B4M2R	SPDT	On-Off-On	T1	B4	M2	R	3.99	3.12	2.54	2.03
612-100A-C2472	C	WSP3T2B4M7R	SPDT	On-Off-On	T2	B4	M7	R	5.08	4.67	3.81	3.05
612-100A-D1422	A	WSP4T1B4M2R	SPDT	(On)-Off-(On)	T1	B4	M2	R	3.88	3.57	2.91	2.33
612-100A-D2412	A	WSP4T2B4M1R	SPDT	(On)-Off-(On)	T2	B4	M1	R	3.88	3.57	2.91	2.33
612-100A-D2462	B	WSP4T2B4M6R	SPDT	(On)-Off-(On)	T2	B4	M6	R	5.01	4.61	3.76	3.01
612-100A-D2472	C	WSP4T2B4M7R	SPDT	(On)-Off-(On)	T2	B4	M7	R	5.36	4.93	4.02	3.22
612-100A-F1422	A	WDP1T1B4M2R	DPDT	On-On	T1	B4	M2	R	3.99	3.67	2.99	2.39

Sub-Miniature Toggle Switches, 200 Series

For quantities greater than listed, call for quote.

MOUSER STOCK NO.	Fig.	Manufacturer's Part Number	Type	Circuit	Options			Contact Material Options	Price Each			
					Actuator	Bush.	Term.		1	10	50	100
612-200-A1111	A	MSP1T1B1M1QE	SPDT	On-On	T1	B1	M1	Q	2.87	2.64	2.15	1.72
612-200-A1121	A	MSP1T1B1M2QE	SPDT	On-On	T1	B1	M2	Q	2.87	2.64	2.15	1.72
612-200-A2262	B	MSP1T2B2M6RE	SPDT	On-On	T2	B2	M6	R	4.66	4.29	3.50	2.80
612-200-A2272	C	MSP1T2B2M7RE	SPDT	On-On	T2	B2	M7	R	4.97	4.57	3.73	2.98
612-200-C1111	A	MSP2T1B1M1QE	SPDT	On-Off-On	T1	B1	M1	Q	3.58	3.29	2.69	2.15
612-200-C1121	A	MSP2T1B1M2QE	SPDT	On-Off-On	T1	B1	M2	Q	3.58	3.29	2.69	2.15
612-200-C2262	B	MSP2T2B2M6RE	SPDT	On-Off-On	T2	B2	M6	R	5.51	5.07	4.13	3.31
612-200-F1111	A	MDP1T1B1M1QE	DPDT	On-On	T1	B1	M1	Q	3.96	3.64	2.97	2.38
612-200-F2262	B	MDP1T2B2M6RE	DPDT	On-On	T2	B2	M6	R	5.54	5.10	4.16	3.32
612-200-H1111	A	MDP2T1B1M1QE	DPDT	On-Off-On	T1	B1	M1	Q	4.66	4.29	3.50	2.80

Sealed Sub-Miniature Toggle Switches, 200A Series

For quantities greater than listed, call for quote.

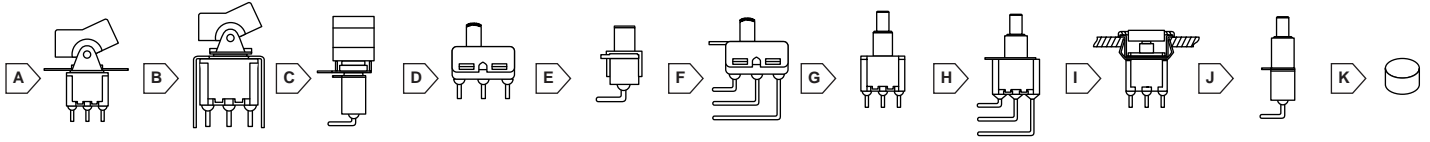
MOUSER STOCK NO.	Fig.	Manufacturer's Part Number	Type	Circuit	Options			Contact Material Options	Price Each			
					Actuator	Bush.	Term.		1	10	50	100
612-200A-A1122	A	WMSP1T1A1M2R	SPDT	On-On	T1	A1	M2	R	3.54	3.26	2.66	2.12
612-200A-A2182	A	WMSP1T2A1VS2R	SPDT	On-On	T2	A1	VS2	R	3.77	3.47	2.83	2.26
612-200A-C1122	A	WMSP2T1A1M2R	SPDT	On-(On)	T1	A1	M2	R	4.54	4.18	3.41	2.72
612-200A-B1122	A	WMSP3T1A1M2R	SPDT	On-Off-On	T1	A1	M2	R	3.70	3.40	2.78	2.22
612-200A-A2162	B	WMSP1T2A1M6R	SPDT	On-On	T2	A1	M6	R	4.97	4.57	3.73	2.98
612-200A-C2162	B	WMSP2T2A1M6R	SPDT	On-Off-On	T2	A1	M6	R	5.59	5.14	4.19	3.35
612-200A-B2162	B	WMSP3T2A1M6R	SPDT	On-(On)	T2	A1	M6	R	5.13	4.72	3.85	3.08

Termination Options								
M1			M2			VS2		
Series	D	L	Series	D	L	Series	D	L
100 & 100A Series	.156	.080	100 & 100A Series	.160	.060	100 & 100A Series	.189	.030
200 & 200A Series	.160	.060	200 & 200A Series	.130	.030	200 & 200A Series	.185	.030

Termination Options								
M6			M7					

NEW!

E-SWITCH® Rocker, Slide, and Push Button Switches



ROCKER, SLIDE, AND PUSH BUTTON SWITCHES

Specifications for 300 & 700 Series:

- Contact resistance: 10mΩ max. initial @ 2-4VDC 100mA for both silver and gold plated contacts
- Insulation resistance: 1,000MΩ min.
- Dielectric strength: 1,000VRMS @ sea level
- Operating temperature: -30°C to 85°C

Specifications 500 Series:

- Contact resistance: 10mΩ max. initially
- Insulation resistance: 1,000MΩ min.
- Dielectric strength: 1,000VRMS @ sea level
- Operating temperature: -30°C to 85°C

Specifications for 800 & 800A Series:

- Contact resistance: 20mΩ max. initial @ 2-4VDC 100mA for both silver and gold plated contacts
- Insulation resistance: 1,000MΩ min.
- Dielectric strength: 1,000VRMS @ sea level
- Operating temperature: -30°C to 85°C

For quantities greater than listed, call for quote.

MOUSER STOCK NO.	Fig.	Manufacturer's Part Number	Type	Circuit	Options			Contact Material Options	Price Each					
					Actuator	Bush.	Term.		1	10	50	100		
Miniature Rocker Switches, 300 Series														
612-300-A611	A	SP1R6M1QE	SPDT	On-On	R6	---	M1	Q	5.11	4.70	3.83	3.07		
612-300-A111	A	SP1R1M1QE	SPDT	On-On	R1	---	M1	Q	4.06	3.74	3.05	2.44		
612-300-C111	A	SP3R1M1QE	SPDT	On-Off-On	R1	---	M1	Q	4.41	4.06	3.31	2.65		
612-300-C192	B	SP3R1VS3RE	SPDT	On-Off-On	R1	---	VS3	R	6.62	6.09	4.97	3.97		
612-300-A162	C	SP1R1M6RE	SPDT	On-On	R1	---	M6	R	4.84	4.45	3.63	2.90		
612-300-A161	C	SP1R1M6QE	SPDT	On-On	R1	---	M6	Q	4.59	4.22	3.44	2.75		
612-300-F111	A	DP1R1M1QE	DPDT	On-On	R1	---	M1	Q	4.80	4.42	3.60	2.88		
612-300-F161	C	DP1R1M6QE	DPDT	On-On	R1	---	M6	Q	5.33	4.90	4.00	3.20		
612-300-U111	A	4P1R1M1QE	DPDT	On-On	R1	---	M1	Q	10.92	10.05	8.19	6.55		
Slide Switches, 500 Series *With mounting ears														
612-500-A121	D	SSP1S1M2QEA	SPDT	On-On	S1	---	M2	Q	3.08	2.83	2.31	1.85		
612-500-A122	D	SSP1S1M2REA	SPDT	On-On	S1	---	M2	R	3.33	3.06	2.50	2.00		
612-500-A161	E	SSP1S1M6QEA	SPDT	On-On	S1	---	M6	Q	3.68	3.39	2.76	2.21		
612-500-A162	E	SSP1S1M6REA	SPDT	On-On	S1	---	M6	R	3.82	3.51	2.87	2.29		
612-500-A171	F	SSP1S1M7QEA	SPDT	On-On	S1	---	M7	Q	4.10	3.77	3.08	2.46		
612-500-A172	F	SSP1S1M7REA	SPDT	On-On	S1	---	M7	R	4.24	3.90	3.18	2.54		
612-500-A1112	D	SSP1S1M1QEB	SPDT	On-On	S1	---	M1	Q	3.08	2.83	2.31	1.85		
612-500-B121	D	SSP2S1M2QEA	SPDT	On-Off-On	S1	---	M2	Q	3.71	3.41	2.78	2.23		
612-500-D121	D	SDP1S1M2QEA	DPDT	On-On	S1	---	M2	Q	4.52	4.16	3.39	2.71		
612-500-D122	D	SDP1S1M2REA	DPDT	On-On	S1	---	M2	R	4.90	4.51	3.68	2.94		
Snap-Acting Push Button Switches, 700 Series (caps sold separately below)														
612-700-B112	G	SP7B10M1RE	SPDT	On-(On)	---	B10	M1	R	5.86	5.39	4.40	3.52		
612-700-B122	G	SP7B10M2RE	SPDT	On-(On)	---	B10	M2	R	5.86	5.39	4.40	3.52		
612-700-B272	H	SP7B20M7RE	SPDT	On-(On)	---	B20	M7	R	7.12	6.55	5.34	4.27		
612-700-B292	G	SP7B20VS2RE	SPDT	On-(On)	---	B20	VS2	R	6.98	6.42	5.24	4.19		
612-700-B1222	I	SP7M1REAP2	SPDT	On-(On)	---	---	M1	R	7.26	6.68	5.45	4.36		
612-700-G112	G	DP7B10M1RE	DPDT	On-(On)	---	B10	M1	R	7.40	6.81	5.55	4.44		
612-700-G1222	I	DP7M1REAP2	DPDT	On-(On)	---	---	M1	R	8.80	8.10	6.60	5.28		
Sub-Miniature Push Button Switches, 800 Series (caps sold separately below)														
612-800-S511	G	SP9B5M1QE	SPST	Off-(On)	---	B5	M1	Q	3.15	2.90	2.36	1.89		
612-800-S622	G	SP9B6M2RE	SPST	Off-(On)	---	B6	M2	R	3.47	3.19	2.60	2.08		
612-800-S662	J	SP9B6M6RE	SPST	Off-(On)	---	B6	M6	R	3.93	3.62	2.95	2.36		
612-800-S762	J	SP9B7M6RE	SPST	Off-(On)	---	B7	M6	R	4.98	4.58	3.74	2.99		
612-800-B711	G	SP8B7M1QE	SPDT	On-(On)	---	B7	M1	Q	5.39	4.96	4.04	3.23		
612-800-B761	J	SP8B7M6QE	SPDT	On-(On)	---	B7	M6	Q	5.57	5.12	4.18	3.34		
612-800-B772	H	SP8B7M7RE	SPDT	On-(On)	---	B7	M7	R	6.25	5.75	4.69	3.75		
Sealed Sub-Miniature Push Button Switches, 800A Series														
612-800A-S22	G	WSP9M2RE	SPST	Off-(On)	---	---	M2	R	4.24	3.90	3.18	2.54		
612-800A-S62	J	WSP9M6RE	SPST	Off-(On)	---	---	M6	R	4.54	4.18	3.41	2.72		
612-800A-S72	H	WSP9M7RE	SPST	Off-(On)	---	---	M7	R	4.54	4.18	3.41	2.72		

DIMENSIONS (IN.)

Bushing Options

Termination Options

CAPS FOR PUSH BUTTON SWITCHES

For quantities greater than listed, call for quote.

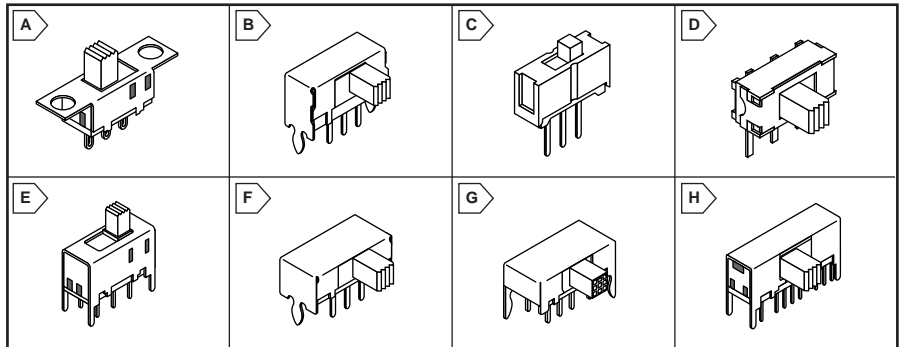
MOUSER STOCK NO.	Fig.	Color	Fits Series	Dimensions (In.)		Price Each			
				D	H	1	10	50	100
612-700-C2BK	K	Black	Snap-Acting Push Button Switches, 700 Series	.368	.244	.08	.07	.06	.05
612-700-C2RD	K	Red	Snap-Acting Push Button Switches, 700 Series	.368	.244	.08	.07	.06	.05
612-800-C2BK	K	Black	Sub-Miniature Push Button Switches, 800 Series	.310	.138	.08	.07	.06	.05
612-800-C2RD	K	Red	Sub-Miniature Push Button Switches, 800 Series	.310	.138	.08	.07	.06	.05

SLIDE SWITCHES

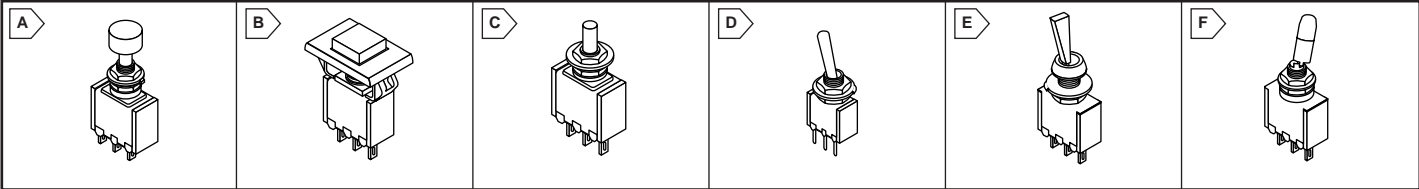
- Initial contact resistance: less than 20 min.
- Withstand voltage: 500VAC for 1 minute between any terminal and frame
- Soldering: auto 270 ±5°C/3 seconds, manual 350 ±10°C/3 seconds
- Life: 10,000 cycles min.
- Insulation resistance: 500VDC - 100MΩ min.
- Operating temperature: -20°C to +70°C
- Contact: silver plate

For quantities greater than listed, call for quote.

MOUSER STOCK NO.	Fig.	Type	Rating	Price Each			
				1	10	50	100
612-EG1201	A	SPDT	30VDC, 0.2A	.60	.55	.45	.36
612-EG1201A	A	SPDT	30VDC, 0.2A	.60	.55	.45	.36
612-EG1213	B	SPDT	30VDC, 0.2A	.65	.60	.49	.39
612-EG1218	C	SPDT	30VDC, 0.2A	.60	.55	.45	.36
612-EG1270	D	SPDT	30VDC, 0.2A	.75	.69	.56	.45
612-EG2201	E	DPDT	30VDC, 0.2A	.83	.76	.62	.50
612-EG2201A	E	DPDT	30VDC, 0.2A	.90	.83	.68	.54
612-EG2215	F	DPDT	30VDC, 0.2A	.75	.69	.56	.45
612-EG2301	E	DP3T	30VDC, 0.2A	.76	.70	.57	.46
612-EG2308	G	DP3T	12VDC, 0.1A	.79	.73	.59	.47
612-EG2315	F	DP3T	30VDC, 0.2A	.83	.76	.62	.50
612-EG4208	G	4P2T	30VDC, 0.2A	1.35	1.24	1.01	.81
612-EG4319	H	4P3T	30VDC, 0.2A	1.50	1.38	1.13	.90



Switches



8060 Series Miniature Pushbutton Switches

• Contact rating: 6A@120VAC/28VDC, 3A@250VAC
 For quantities greater than listed, call for quote.

MOUSER STOCK NO.	Fig.	C&K Part Number	Type	Circuit	Termination	Price Each		
						1	10	100
611-8161-201	A	8161SHZQE2	SPDT	On-On	Solder	5.91	4.73	3.74
611-8261-201	A	8261SHZQE2	DPDT	On-On	Solder	12.18	9.74	7.71

8020 Series Snap-Acting Miniature Pushbutton Switches

• Contact rating: 1A@120VAC/28VDC
 For quantities greater than listed, call for quote.

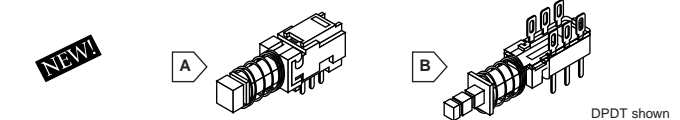
MOUSER STOCK NO.	Fig.	C&K Part Number	Type	Circuit	Termination	Price Each		
						1	10	100
611-8121-211	B	8121J81ZGE22	SPDT	On-(On)	Solder	10.11	8.09	6.43
611-8121-221	C	8121SHZGE	SPDT	On-(On)	Solder	8.91	7.13	5.64
611-8221-211	B	8221J81ZGE22	DPDT	On-(On)	Solder	14.49	11.59	9.18
611-8221-221	C	8221SHZGE	DPDT	On-(On)	Solder	13.29	10.63	8.42

7000 Series Miniature Toggle Switches

• Contact rating: 5A@120VAC/28VDC, 2A@250VAC
 For quantities greater than listed, call for quote.

MOUSER STOCK NO.	Fig.	C&K Part Number	Type	Circuit	Termination	Price Each		
						1	10	100
611-7101-001	D	7101SYZQE	SPDT	On-On	Solder	3.75	3.00	2.38
611-7101-002	D	7101SYCQE	SPDT	On-On	PCB	3.90	3.12	2.47
611-7101-021	E	7101P3YZQE	SPDT	On-On	Solder	4.62	3.70	2.93
611-7101-031	F	7101KZQE	SPDT	On-On	Solder	5.94	4.75	4.31
611-7103-001	D	7103SYZQE	SPDT	On-Off-On	Solder	4.26	3.41	2.70
611-7103-002	D	7103SYCQE	SPDT	On-Off-On	PCB	4.47	3.58	2.83
611-7108-001	D	7108SYZQE	SPDT	On-(On)	Solder	5.91	4.72	3.74
611-7107-001	D	7107SYZQE	SPDT	On-Off-(On)	Solder	4.35	3.48	2.76
611-7105-001	D	7105SYZQE	SPDT	(On)-Off-(On)	Solder	5.91	4.72	3.74
611-7201-001	D	7201SYZQE	DPDT	On-On	Solder	5.25	4.20	3.33
611-7201-002	D	7201SYCQE	DPDT	On-On	PCB	5.55	4.44	3.52
611-7203-001	D	7203SYZQE	DPDT	On-Off-On	Solder	6.21	4.97	3.93
611-7203-002	D	7203SYCQE	DPDT	On-Off-On	PCB	6.36	5.09	4.03
611-7301-001	D	7301SYZQE	3PDT	On-On	Solder	9.12	7.30	5.78
611-7401-001	D	7401SYZQE	4PDT	On-On	Solder	12.60	10.08	7.98

E-SWITCH® MTH/TA SERIES PUSH BUTTON SWITCHES



Caps sold separately. For quantities greater than listed, call for quote.

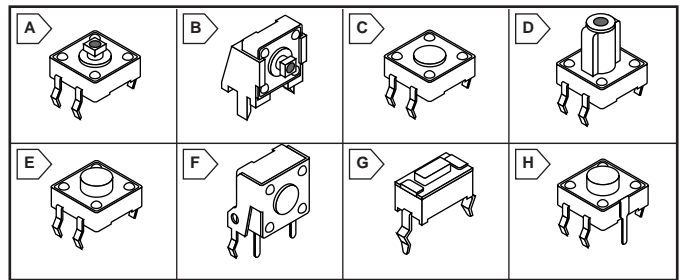
MOUSER STOCK NO.	Fig.	Manufacturer's Part Number	Type	Cont. Plating	Action	Price Each			
						1	10	50	100
612-MTH21	A	MTH2UOANAG	DPDT	Silver	Momen.	.94	.86	.71	.56
612-MTH22	A	MTH2UEENAG	DPDT	Silver	Latching	1.04	.96	.78	.62
612-TA211	B	TA2UOAAAGPN	DPDT	Silver	Momen.	1.39	1.24	.99	.75
612-TA212	B	TA2UOAAAGPN	DPDT	Gold	Momen.	3.38	3.01	2.40	1.83
612-TA221	B	TA2UEEAAGPN	DPDT	Silver	Latching	1.51	1.34	1.07	.82
612-TA222	B	TA2UEEAAGPN	DPDT	Gold	Latching	3.38	3.01	2.40	1.83
612-TA411	B	TA4UOAAAGPN	4PDT	Silver	Momen.	1.74	1.55	1.24	.94
612-TA421	B	TA4UEEAAGPN	4PDT	Silver	Latching	1.85	1.65	1.31	1.00
612-TA422	B	TA4UEEAAGPN	4PDT	Gold	Latching	5.38	4.79	3.82	2.91

E-SWITCH® CAPS FOR PUSH BUTTON AND TACT SWITCHES

For quantities greater than listed, call for quote.

MOUSER STOCK NO.	Fig.	Color	Fits Series	Price Each			
				1	10	50	100
612-1C-BK	A	Black	612-MTH	.21	.19	.16	.13
612-1C-RD	A	Red	612-MTH	.21	.19	.16	.13
612-1C-GR	A	Gray	612-MTH	.21	.19	.16	.13
612-1D-BK	B	Black	612-MTH	.21	.19	.16	.13
612-1D-RD	B	Red	612-MTH	.21	.19	.16	.13
612-1D-GR	B	Gray	612-MTH	.21	.19	.16	.13
612-TAA-BK	C	Black	612-TA, 612TL1104	.40	.36	.28	.22
612-TAA-WH	C	White	612-TA, 612TL1104	.40	.36	.28	.22
612-TAA-RD	C	Red	612-TA, 612TL1104	.40	.36	.28	.22
612-TAA-GY	C	Gray	612-TA, 612TL1104	.40	.36	.28	.22
612-TAG-BK	D	Black	612-TA	.37	.33	.26	.20
612-TAG-WH	D	White	612-TA	.37	.33	.26	.20
612-TAG-RD	D	Red	612-TA	.37	.33	.26	.20
612-TAG-GY	D	Gray	612-TA	.37	.33	.26	.20
612-TAG-CH	D	Chrome	612-TA	.60	.54	.43	.32
612-TAC-BK	E	Black	612-TA	.38	.34	.27	.21
612-TAC-WH	E	White	612-TA	.38	.34	.27	.21
612-TAC-RD	E	Red	612-TA	.38	.34	.27	.21
612-TAC-GY	E	Gray	612-TA	.38	.34	.27	.21
612-4J-BK	F	Black	612-TL1100	.15	.14	.11	.09
612-4J-WH	F	White	612-TL1100	.15	.14	.11	.09
612-4J-RD	F	Red	612-TL1100	.15	.14	.11	.09
612-4J-GR	F	Gray	612-TL1100	.15	.14	.11	.09

E-SWITCH® TL SERIES TACT SWITCHES

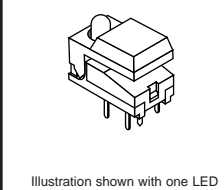


• Contact rating: 50mA@12VDC
 • Operating force: 160±30gf
 • Contact resistance: 10mΩ max.
 • Life 100,000 cycles min.
 * Caps 4J series sold separately
 ** Caps TAA series sold separately
 For quantities greater than listed, call for quote.

MOUSER STOCK NO.	Fig.	Size	Actual Height	Operational Force	Price Each			
					1	10	50	100
612-TL1100	A	.47 x .47	.287	160gF	.39	.36	.29	.23
612-TL1100C	B	.47 x .47	.287	160gF	.39	.36	.29	.23
612-TL1103	C	.47 x .47	.169	160gF	.34	.31	.25	.20
612-TL1104	D	.47 x .47	.472	160gF	.30	.28	.23	.18
612-TL1105	E	.24 x .24	.169	160gF	.20	.19	.15	.12
612-TL1105A	E	.24 x .24	.197	160gF	.20	.19	.15	.12
612-TL1105B	E	.24 x .24	.374	160gF	.20	.19	.15	.12
612-TL1105W	F	.24 x .24	.124	160gF	.30	.28	.23	.18
612-TL1107	G	.24 x .24	.169	160gF	.30	.28	.23	.18
612-TLE1105	H	.24 x .24	.169	160gF	.27	.25	.20	.16
612-TLE1105A	H	.24 x .24	.197	160gF	.24	.22	.18	.14
612-TLE1105B	H	.24 x .24	.374	160gF	.30	.28	.23	.18

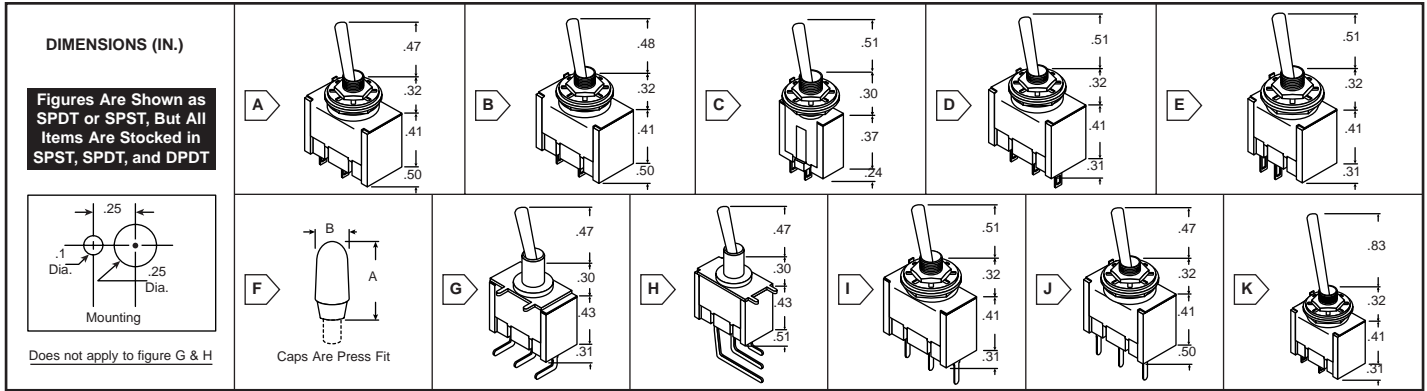
E-SWITCH® 5500 SERIES PUSHBUTTONS

Miniature, momentary function input switches designed for use with dual-in-line package circuits, they feature crisp tactile feel and are available in several colors.



Specifications:
 • Voltage rating: 24V
 • Current rating: 12mA
 • Test volt. cont-cont: 150V
 • Power rating: 240mW
 • Continuous current rating: 120mA
 • Insulation resistance: >100MΩ
 • Contact resistance: <50mΩ
 • Capacitance cont-cont: <0.5pF
 • Contact configuration: SPDT

MOUSER STOCK NO.	Color		Price Each			
	Cap	LED(s)	1	10	50	100
612-5501M1X	Black	No LED	3.42	3.15	2.57	2.05
612-5501M2X	Gray	No LED	3.42	3.15	2.57	2.05
612-5501M5X	Red	No LED	3.42	3.15	2.57	2.05
612-5501M8X	White	No LED	3.42	3.15	2.57	2.05
612-5501M11	Black	Red	3.42	3.15	2.57	2.05
612-5501M21	Gray	Red	4.47	4.11	3.35	2.68
612-5501M51	Red	Red	4.47	4.11	3.35	2.68
612-5501M81	White	Red	4.47	4.11	3.35	2.68
612-5501M12	Black	Green	4.47	4.11	3.35	2.68
612-5501M22	Gray	Green	4.47	4.11	3.35	2.68
612-5501M52	Red	Green	4.47	4.11	3.35	2.68
612-5501M82	White	Green	4.47	4.11	3.35	2.68
612-5501M11-12	Black	Red/Green	4.47	4.11	3.35	2.68
612-5501M2-12	Gray	Red/Green	4.47	4.11	3.35	2.68



Specifications:

- Breakdown voltage: 1000VAC, for one minute
- Insulation resistance: 100MΩ (min.)
- Mechanical life: over 30,000 operations
- Electrical life: over 10,000 operations
- () = Momentary contact



STANDARD LEVER

- Rating: 3A/125VAC, 1A/250VAC
- Solder terminals

MOUSER STOCK NO.	Fig.	Type	Circuit	Price Each			
				1	10	100	500
108-MS550K	A	SPST	On-Off	2.73	2.28	2.07	Call For Quote
108-MS550A	A	SPDT	On-On	2.83	2.36	2.15	
108-MS550C	A	SPDT	On-Off-On	3.35	2.79	2.54	
108-MS550H	A	DPDT	On-Off-On	4.40	3.66	3.33	

- Rating: 6A/125VAC, 3A/250VAC
- Solder terminals
- () Momentary contact

MOUSER STOCK NO.	Fig.	Type	Circuit	Price Each			
				1	10	100	500
10TC220	B	SPST	On-Off	3.11	2.59	2.36	Call For Quote
10TC230	B	SPDT	On-On	3.44	2.87	2.61	
10TC232	B	SPDT	On-(On)	3.63	3.02	2.75	
10TC235	B	SPDT	On-Off-On	3.83	3.19	2.90	
10TC240	B	SPDT	On-Off-(On)	3.92	3.26	2.97	
10TC245	B	SPDT	(On)-Off-(On)	3.92	3.26	2.97	
10TC260	B	DPDT	On-On	4.72	3.94	3.58	
10TC262	B	DPDT	On-(On)	5.00	4.17	3.79	
10TC265	B	DPDT	On-Off-On	5.33	4.44	4.04	
10TC270	B	DPDT	On-Off-(On)	5.53	4.61	4.19	
10TC275	B	DPDT	(On)-Off-(On)	5.53	4.61	4.19	
10TC280	B	3PDT	On-On	6.35	5.29	4.81	
10TC285	B	3PDT	On-Off-On	7.47	6.22	5.66	
10TC290	B	4PDT	On-On	8.12	6.77	6.15	Call For Quote
10TC295	B	4PDT	On-Off-On	9.64	8.03	7.30	
10TA820	C	SPST	On-Off	3.54	2.95	2.69	
10TA830	C	SPDT	On-On	3.82	3.18	2.89	
10TA860	C	DPDT	On-On	5.00	4.17	3.79	

HI-REL STANDARD LEVER

- Rating: 6A/125VAC, 3A/250VAC
- Solder terminals
- () Momentary contact

MOUSER STOCK NO.	Fig.	Type	Circuit	Price Each			
				1	10	100	500
10TA730	D	SPDT	On-On	4.79	3.99	3.63	Call For Quote
10TA732	D	SPDT	On-(On)	5.44	4.53	4.12	
10TA735	D	SPDT	On-Off-On	5.19	4.33	3.93	
10TA740	D	SPDT	On-Off-(On)	5.71	4.76	4.33	
10TA745	D	SPDT	(On)-Off-(On)	5.71	4.76	4.33	
10TA760	D	DPDT	On-On	7.08	5.90	5.36	
10TA765	D	DPDT	On-Off-On	7.59	6.32	5.75	
10TA762	D	DPDT	On-(On)	8.20	6.83	6.21	
10TA770	D	DPDT	On-Off-(On)	8.58	7.15	6.50	
10TA775	D	DPDT	(On)-Off-(On)	8.58	7.15	6.50	

HI-CURRENT STANDARD LEVER

- Rating: 10A/125VAC
- Solder terminals

MOUSER STOCK NO.	Fig.	Type	Circuit	Price Each			
				1	10	100	500
10TC320	E	SPST	On-Off	3.78	3.15	2.86	Call For Quote
10TC330	E	SPDT	On-On	4.11	3.42	3.11	
10TC335	E	SPDT	On-Off-On	4.53	3.78	3.43	
10TC360	E	DPDT	On-On	5.77	4.81	4.37	
10TC365	E	DPDT	On-Off-On	6.32	5.27	4.79	

DECORATIVE MINIATURE TOGGLE LEVER

- Plastic caps for miniature toggle switches

MOUSER STOCK NO.	Fig.	Color	Dimensions (In.)		Price Each			
			A	B	1	10	100	500
			10TB001	F	Red	.45	.18	.21
10TB002	F	Black	.45	.18	.21	.17	.16	
10TB003	F	White	.45	.18	.21	.17	.16	
10TB004	F	Blue	.45	.18	.21	.17	.16	

HI-REL STANDARD LEVER, PC MOUNT

- Rating: 6A/125VAC, 3A/250VAC
- Gold plated terminals
- Right angle PC mount
- () Momentary contact

MOUSER STOCK NO.	Fig.	Type	Circuit	Price Each			
				1	10	100	500
10TF230	G	SPDT	On-On	4.34	3.62	3.29	Call For Quote
10TF235	G	SPDT	On-Off-On	4.65	3.87	3.52	
10TF232	G	SPDT	On-(On)	4.88	4.06	3.69	
10TF240	G	SPDT	On-Off-(On)	5.04	4.20	3.82	
10TF245	G	SPDT	(On)-Off-(On)	5.04	4.20	3.82	
10TF260	G	DPDT	On-On	5.64	5.43	4.93	
10TF265	G	DPDT	On-Off-On	6.99	5.82	5.29	
10TF262	G	DPDT	On-(On)	7.45	6.21	5.64	
10TF270	G	DPDT	On-Off-(On)	7.59	6.33	5.75	
10TF275	G	DPDT	(On)-Off-(On)	7.59	6.33	5.75	

- Rating: 6A/125VAC, 3A/250VAC
- Gold plated terminals
- Vertical PC mount
- () Momentary contact

MOUSER STOCK NO.	Fig.	Type	Circuit	Price Each			
				1	10	100	500
10TF130	H	SPDT	On-On	4.95	4.12	3.75	Call For Quote
10TF135	H	SPDT	On-Off-On	5.38	4.49	4.08	
10TF132	H	SPDT	On-(On)	5.38	4.49	4.08	
10TF140	H	SPDT	On-Off-(On)	5.67	4.73	4.30	
10TF145	H	SPDT	(On)-Off-(On)	5.67	4.73	4.30	
10TF160	H	DPDT	On-On	7.12	5.93	5.39	
10TF165	H	DPDT	On-Off-On	7.59	6.33	5.73	
10TF162	H	DPDT	On-(On)	8.05	6.71	6.10	
10TF170	H	DPDT	On-Off-(On)	8.28	6.90	6.27	
10TF175	H	DPDT	(On)-Off-(On)	8.28	6.90	6.27	

- Rating: 6A/125VAC, 3A/250VAC
- Gold plated terminals
- PC mount
- () Momentary contact

MOUSER STOCK NO.	Fig.	Type	Circuit	Price Each			
				1	10	100	500
10TC430	I	SPDT	On-On	5.67	4.73	4.30	Call For Quote
10TC435	I	SPDT	On-Off-On	5.95	4.96	4.51	
10TC445	I	SPDT	(On)-Off-(On)	6.47	5.39	4.90	
10TC460	I	DPDT	On-On	8.50	7.09	6.44	
10TC465	I	DPDT	On-Off-On	9.04	7.53	6.85	
10TC475	I	DPDT	(On)-Off-(On)	10.04	8.37	7.61	

HI-REL LOW VOLTAGE/CURRENT

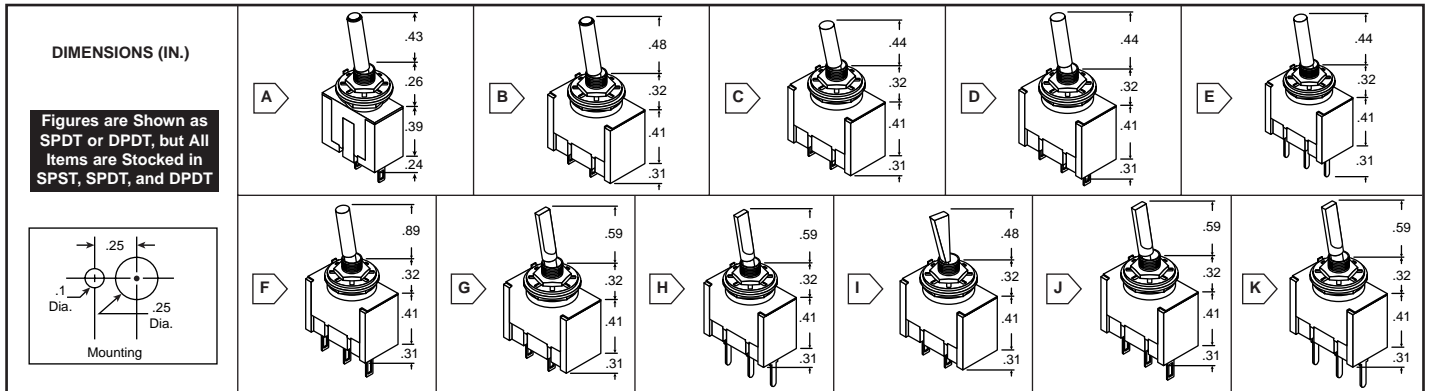
- Rating: 20mA/25VAC
- Electrical life: >50,000 cycles
- Gold plated contacts and terminals
- Insulation resistance: 1000MΩ (min.)
- Mechanical life: 100,000 cycles
- PC mount

MOUSER STOCK NO.	Fig.	Type	Circuit	Price Each			
				1	10	100	500
108-MS510A	J	SPDT	On-On	6.60	5.50	5.00	Call For Quote
108-MS510C	J	SPDT	On-Off-On	7.70	6.42	5.83	
108-MS510F	J	DPDT	On-On	10.40	8.67	7.88	
108-MS510H	J	DPDT	On-Off-On	12.07	10.06	9.14	

LONG METAL LEVER

- Rating: 6A/125VAC, 3A/250VAC
- Solder terminals
- () Momentary contact

MOUSER STOCK NO.	Fig.	Type	Circuit	Price Each			
				1	10	100	500
10TA420	K	SPST	On-Off	3.44	2.87	2.60	Call For Quote
10TA445	K	SPDT	(On)-Off-(On)	4.02	3.35	3.04	
10TA430	K	SPDT	On-On	3.78	3.15	2.86	
10TA435	K	SPDT	On-Off-On	4.16	3.47	3.15	
10TA460	K	DPDT	On-On	5.06	4.21	3.83	
10TA475	K	DPDT	(On)-Off-(On)	5.63	4.69	4.26	
10TA465	K	DPDT	On-Off-On	5.67	4.72	4.30	
108-MS344A	K	SPDT	On-On	5.29	4.41	4.01	



Specifications:

- Contact resistance: 20mΩ (max.)
- Insulation resistance: 100MΩ (min.)
- Breakdown voltage: 1000VAC for one minute
- () = Momentary contact



* UL (File No. E128300) Listed.
 ** CSA (File No. LR26920) Listed.
 *** UL and CSA Listed

METAL BATON LEVER WITH COLORED TIP

- Rating: 3A/125VAC
- Solder terminals

MOUSER STOCK NO.	Fig.	Tip Color	Type	Circuit	Price Each			
					1	10	100	500
10TF105	A	Red	SPST	On-Off	3.31	2.75	2.50	2.28
10TF205	A	Yellow	SPST	On-Off	3.31	2.75	2.50	2.28
10TF305	A	Blue	SPST	On-Off	3.31	2.75	2.50	2.28
10TF110	A	Red	SPDT	On-On	3.58	2.99	2.71	2.47
10TF210	A	Yellow	SPDT	On-On	3.58	2.99	2.71	2.47
10TF310	A	Blue	SPDT	On-On	3.58	2.99	2.71	2.47
10TF115	A	Red	DPDT	On-On	4.20	3.50	3.18	2.89
10TF215	A	Yellow	DPDT	On-On	4.20	3.50	3.18	2.89
10TF315	A	Blue	DPDT	On-On	4.20	3.50	3.18	2.89

METAL BATON LEVER WITH COLORED TIP

- Rating: 6A/125VAC, 3A/250VAC
- Solder terminals
- Part number suffix indicates lever tip color

MOUSER STOCK NO.	Fig.	Type	Circuit	Price Each			
				1	10	100	500
108-MS500KCL-BLK	B	SPST	On-Off	3.58	2.98	2.71	2.47
108-MS500ACL-BLK	B	SPDT	On-On	3.87	3.23	2.93	2.67
108-MS500FCL-BLK	B	DPDT	On-On	5.15	4.29	3.90	3.54
108-MS500KCL-RED	B	SPST	On-Off	3.58	2.98	2.71	2.47
108-MS500ACL-RED	B	SPDT	On-On	3.87	3.23	2.93	2.67
108-MS500FCL-RED	B	DPDT	On-On	5.15	4.29	3.90	3.54

ANODIZED ALUMINUM BATON LEVER

- Rating: 3A/125VAC
- Solder terminals

MOUSER STOCK NO.	Fig.	Type	Circuit	1	10	100	500
10TF605	A	SPST	On-Off	3.82	3.18	2.89	2.63
10TF610	A	SPDT	On-On	3.96	3.30	3.00	2.73
10TF615	A	DPDT	On-On	4.72	3.94	3.58	3.25

PLASTIC BATON LEVER

- Rating: 6A/125VAC, 3A/250VAC
- Solder terminals
- Part number suffix indicates lever tip color

MOUSER STOCK NO.	Fig.	Type	Circuit	1	10	100	500
108-MS500KPL-BLK	C	SPST	On-Off	3.25	2.71	2.47	2.24
108-MS500APL-BLK	C	SPDT	On-On	3.87	3.23	2.93	2.67
108-MS500FPL-BLK	C	DPDT	On-On	4.81	4.01	3.65	3.31
108-MS500KPL-RED	C	SPST	On-Off	3.25	2.71	2.47	2.24
108-MS500APL-RED	C	SPDT	On-On	3.55	2.95	2.69	2.44
108-MS500FPL-RED	C	DPDT	On-On	4.81	4.01	3.65	3.31

HI-REL PLASTIC BATON LEVER

- Rating: 6A/125VAC, 3A/250VAC
- Solder terminals
- Part number suffix indicates lever tip color

MOUSER STOCK NO.	Fig.	Type	Circuit	Price Each			
				1	10	100	500
108-MS340A-BLK	D	SPDT	On-On	4.92	4.10	3.73	3.39
108-MS340C-BLK	D	SPDT	On-Off-On	5.09	4.24	3.86	3.51
108-MS340F-BLK	D	DPDT	On-On	7.04	5.87	5.33	4.85
108-MS340A-RED	D	SPDT	On-On	4.92	4.10	3.73	3.39
108-MS340C-RED	D	SPDT	On-Off-On	5.09	4.24	3.51	3.16
108-MS340F-RED	D	DPDT	On-On	7.04	5.87	5.33	4.85

HI-REL PLASTIC BATON LEVER

- Rating: 6A/125VAC, 3A/250VAC
- PC terminals
- Part number suffix indicates lever tip color

MOUSER STOCK NO.	Fig.	Type	Circuit	1	10	100	500
108-MS341A-BLK	E	SPDT	On-On	4.92	4.10	3.73	3.39
108-MS341C-BLK	E	SPDT	On-Off-On	5.85	4.88	4.43	4.03
108-MS341F-BLK	E	DPDT	On-On	8.43	7.02	6.38	5.80
108-MS341A-RED	E	SPDT	On-On	4.92	4.10	3.73	3.39

PLASTIC LONG BATON LEVER

- Rating: 6A/125VAC, 3A/250VAC
- Solder terminals
- Part number suffix indicates lever tip color

MOUSER STOCK NO.	Fig.	Type	Circuit	1	10	100	500
108-MS500FML-RED	F	DPDT	On-On	5.05	4.21	3.83	3.48

LONG BLACK PLASTIC BATON LEVER

- Rating: 6A/125VAC, 3A/250VAC
- Solder terminals
- () Momentary contact

MOUSER STOCK NO.	Fig.	Type	Circuit	Price Each			
				1	10	100	500
10TA120	F	SPST	On-Off	3.45	2.87	2.61	2.37
10TA130	F	SPDT	On-On	3.78	3.15	2.86	2.60
10TA135	F	SPDT	On-Off-On	4.16	3.47	3.15	2.86
10TA145	F	SPDT	(On)-Off-(On)	4.20	3.50	3.18	2.89
10TA160	F	DPDT	On-On	5.05	4.21	3.83	3.48
10TA165	F	DPDT	On-Off-On	5.66	4.72	4.29	3.90
10TA175	F	DPDT	(On)-Off-(On)	5.80	4.83	4.39	3.99

HI-REL LONG PLASTIC BATON LEVER

- Rating: 6A/125VAC, 3A/250VAC
- Solder terminals
- Part number suffix indicates lever tip color

MOUSER STOCK NO.	Fig.	Type	Circuit	1	10	100	500
108-MS345A-BLK	F	SPDT	On-On	5.09	4.24	3.86	3.51
108-MS345C-BLK	F	SPDT	On-Off-On	5.09	4.24	3.86	3.51
108-MS345F-BLK	F	DPDT	On-On	8.12	6.77	6.15	5.94
108-MS345A-RED	F	SPDT	On-On	5.10	4.25	3.86	3.51
108-MS345C-RED	F	SPDT	On-Off-On	5.09	4.23	3.86	3.51
108-MS345F-RED	F	DPDT	On-On	8.12	6.77	6.15	5.94

BLACK PLASTIC FLAT LEVER

- Rating: 6A/125VAC, 3A/250VAC
- Solder terminals
- () Momentary contact

MOUSER STOCK NO.	Fig.	Type	Circuit	1	10	100	500
10TA220	G	SPST	On-Off	3.78	3.15	2.86	2.60
10TA230	G	SPDT	On-On	4.11	3.42	3.11	2.83
10TA235	G	SPDT	On-Off-On	4.48	3.74	3.40	3.09
10TA245	G	SPDT	(On)-Off-(On)	4.53	3.78	3.43	3.12
10TA260	G	DPDT	On-On	5.38	4.49	4.08	3.71
10TA265	G	DPDT	On-Off-On	5.99	5.00	4.54	4.13
10TA275	G	DPDT	(On)-Off-(On)	6.14	5.12	4.65	4.23

HI-REL BLACK PLASTIC FLAT LEVER

- Rating: 6A/125VAC, 3A/250VAC
- Solder terminals

MOUSER STOCK NO.	Fig.	Type	Circuit	1	10	100	500
10TA530	G	SPDT	On-On	5.29	4.41	4.01	3.64
10TA535	G	SPDT	On-Off-On	5.76	4.80	4.36	3.97
10TA565	G	DPDT	On-Off-On	8.12	6.77	6.15	5.59
10TA560	G	DPDT	On-On	7.68	6.40	5.81	5.29

HI-REL BLACK PLASTIC FLAT LEVER

- Rating: 6A/125VAC, 3A/250VAC
- PC terminals
- () Momentary contact

MOUSER STOCK NO.	Fig.	Type	Circuit	1	10	100	500
10TC130	H	SPDT	On-On	6.18	5.15	4.68	4.26
10TC135	H	SPDT	On-Off-On	6.47	5.39	4.90	4.46
10TC145	H	SPDT	(On)-Off-(On)	7.07	5.89	5.36	4.87
10TC160	H	DPDT	On-On	9.11	7.59	6.90	6.27
10TC170	H	DPDT	On-Off-On	9.57	7.97	7.25	6.59
10TC175	H	DPDT	(On)-Off-(On)	10.63	8.86	8.05	7.32

METALLIZED PLASTIC FLAT LEVER

- Rating: 6A/125VAC, 3A/250VAC
- Solder terminals
- () Momentary contact

MOUSER STOCK NO.	Fig.	Type	Circuit	1	10	100	500
10TA320	I	SPST	On-Off	3.91	3.26	2.96	2.69
10TA330	I	SPDT	On-On	4.30	3.58	3.26	2.96
10TA335	I	SPDT	On-Off-On	4.68	3.90	3.54	3.22
10TA345	I	SPDT	(On)-Off-(On)	4.79	3.99	3.63	3.30
10TA360	I	DPDT	On-On	5.56	4.64	4.22	3.83
10TA365	I	DPDT	On-Off-On	6.23	5.20	4.72	4.29
10TA375	I	DPDT	(On)-Off-(On)	6.38	5.31	4.83	4.39

HI-REL METALLIZED PLASTIC FLAT LEVER

- Rating: 6A/125VAC, 3A/250VAC
- Solder terminals

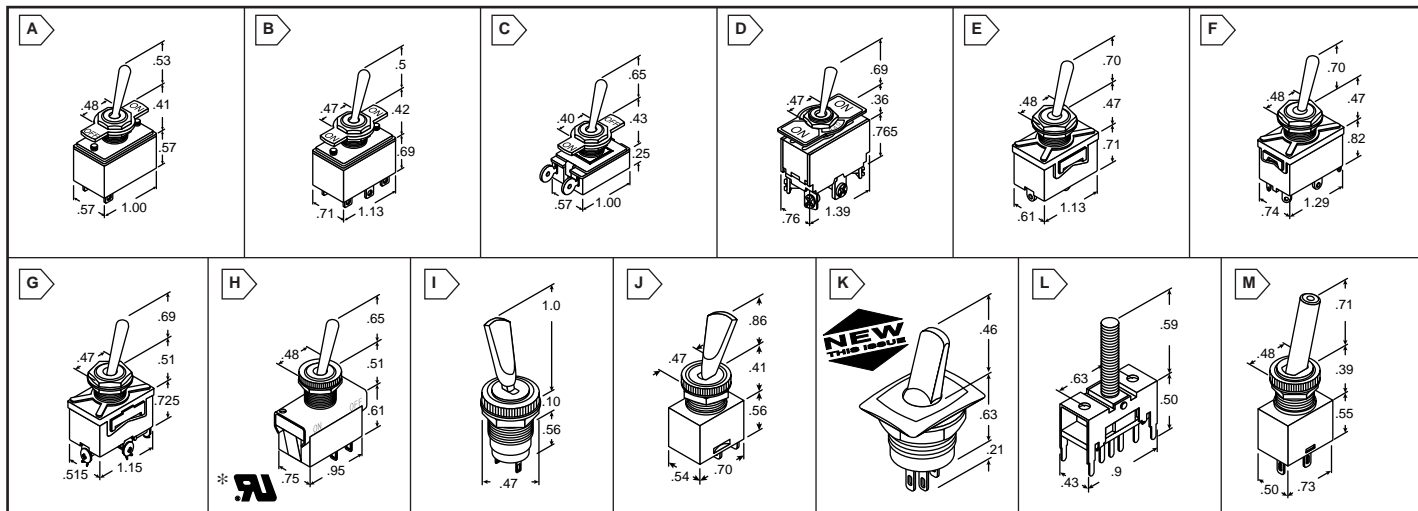
MOUSER STOCK NO.	Fig.	Type	Circuit	1	10	100	500
108-MS333A	J	SPDT	On-On	5.99	5.00	4.55	4.13
108-MS333C	J	SPDT	On-Off-On	6.28	5.23	4.76	4.32
108-MS333F	J	DPDT	On-On	8.50	7.09	6.44	5.86

HI-REL METALLIZED PLASTIC FLAT LEVER

- Rating: 6A/125VAC, 3A/250VAC
- PC terminals
- Gold plated contacts
- () Momentary contact

MOUSER STOCK NO.	Fig.	Type	Circuit	1	10	100	500
10TC930	K	SPDT	On-On	6.74	5.62	5.11	4.64
10TC935	K	SPDT	On-Off-On	7.04	5.87	5.33	4.85
10TC945	K	SPDT	(On)-Off-(On)	7.59	6.33	5.75	5.23
10TC960	K	DPDT	On-On	9.95	8.29	7.54	6.85
10TC965	K	DPDT	On-Off-On	10.33	8.60	7.82	7.11
10TC975	K	DPDT	(On)-Off-(On)	11.52	9.60	8.73	7.93

Toggle Switches



Mountain Switch TOGGLE SWITCHES

Standard Duty • Rating: 3A/125VAC • Insulation resistance: 100MΩ (min.)

MOUSER STOCK NO.	Fig.	Type	Circuit	Breakdown Voltage	Contact Resistance (max.)	Price Each			
						1	10	100	500
103-0132	A	SPST	On-Off	1000VAC	50mΩ	1.33	1.11	.99	.90
10TE002	B	DPDT	On-On	1000VAC	20mΩ	4.41	3.68	3.34	3.04

Low Profile • Rating: 5A/125VAC • Insulation resistance: 100MΩ (min.)

10TE001	C	SPST	On-Off	1000VAC	20mΩ	3.21	2.68	2.43	2.21
---------	---	------	--------	---------	------	------	------	------	------

Heavy Duty • Insulation resistance: 100MΩ (min.)

10A/125VAC, 3A/250VAC									
10TE008	D	DPDT	On-Off-On	1000VAC	50mΩ	2.22	1.93	1.75	1.65
15A/125VAC, 10A/250VAC									
10TE006	E	SPST	On-Off	1500VAC	50mΩ	2.94	2.45	2.23	2.02
10TE007	F	DPDT	On-On	1500VAC	50mΩ	3.05	2.53	2.31	2.10
20A/125VAC, 10A/250VAC									
10TE012	G	SPDT	On-Off-On	1500VAC	50mΩ	2.53	2.10	1.93	1.71

Hi-Rel UL Recognized • Rating: 6A/250VAC • Insulation resistance: 100MΩ (min.)

10DS235	H	SPST	On-Off	1500VAC	20mΩ	6.01	5.01	4.55	4.14
10DS236	H	SPDT	On-On	1500VAC	20mΩ	6.67	5.56	5.05	4.59
10DS237	H	SPDT	On-Off-On	1500VAC	20mΩ	6.81	5.68	5.16	4.69
10DS238	H	DPDT	On-On	1500VAC	20mΩ	9.26	7.72	7.02	6.38
10DS239	H	DPDT	On-Off-On	1500VAC	20mΩ	9.20	7.66	6.97	6.34

Plastic Lever • Insulation resistance: 100MΩ (min.)

MOUSER STOCK NO.	Fig.	Type	Circuit	Breakdown Voltage	Contact Resistance (max.)	Price Each			
						1	10	100	500
3A/125VAC									
10DS274	I	SPST	On-Off	1000VAC	20mΩ	6.67	5.56	5.05	4.59
6A/125VAC									
10TL020	J	SPST	On-Off	1000VAC	20mΩ	4.62	3.85	3.50	3.18
10TL021	J	SPDT	On-On	1000VAC	20mΩ	5.83	4.86	4.42	4.02
10TL022	J	DPDT	On-On	1000VAC	20mΩ	8.80	7.34	6.67	6.06
103-4023	K	SPDT	On-On	1500VAC	50mΩ	2.19	1.83	1.66	1.52

Toggle Switch • Brushed aluminum handles • PC terminals • Rating: .5A/50VDC

MOUSER STOCK NO.	Fig.	Type	Circuit	Breakdown Voltage	Contact Resistance (max.)	Price Each			
						1	10	100	500
10TS003	L	DP3T	On-On-On	500VAC	30mΩ	1.11	.92	.84	.71

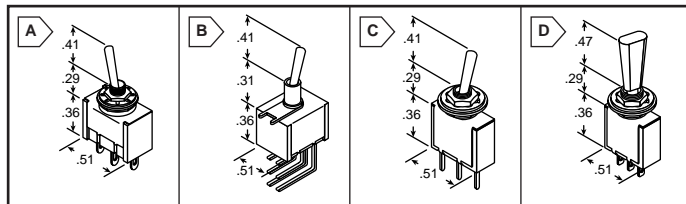
LED Illuminated Toggle Switches

- LED data: Red Green
- Intensity: 2.1mcd (Typ.) 1.4mcd (Typ.)
- LED on a separate circuit 20mA 20mA
- Rating: 3A/125VAC • VF: 1.7V 2.0V

MOUSER STOCK NO.	Fig.	Color	Type	Circuit	Mtg. Hole (In.)	Price Each			
						1	10	100	500
10TR414	M	Red	SPST	On-Off	.472	7.81	6.51	5.91	5.38
10TR415	M	Green	SPST	On-Off	.472	8.28	6.90	6.27	5.70
10TR416	M	Red	SPDT	On-On	.472	8.28	6.90	6.27	5.70
10TR417	M	Green	SPDT	On-On	.472	8.52	7.10	6.46	5.87

MINIATURE TOGGLE SWITCHES

DIMENSIONS (IN.)



Specifications:

- Contact resistance: 20mΩ max.
- Insulation resistance: 100MΩ min, 500VDC
- Dielectric strength: 1000VAC 1 minute
- Operating temperature: -20°C to 65°C
- Rating: 6A 125V, 3A 250V AC
- Electrical life: 50,000 make-and-break cycles at full load
- Color: blue

Standard Lever - Solder Tab

() = Momentary contact

MOUSER STOCK NO.	Fig.	Type	Circuit	Price Each			
				1	10	100	500
1055-TA1120	A	SPST	On-Off	1.45	1.22	1.09	.98
1055-TA1130	A	SPDT	On-On	1.58	1.32	1.19	1.07
1055-TA1132	A	SPDT	On-(On)	2.07	1.73	1.56	1.41
1055-TA1135	A	SPDT	On-Off-On	1.84	1.54	1.40	1.25
1055-TA1140	A	SPDT	On-Off-(On)	2.53	2.12	1.91	1.72
1055-TA1145	A	SPDT	(On)-Off-(On)	2.07	1.73	1.56	1.41
1055-TA1160	A	DPDT	On-On	2.34	1.95	1.78	1.62
1055-TA1162	A	DPDT	On-(On)	2.53	2.12	1.91	1.72
1055-TA1165	A	DPDT	On-Off-On	2.51	2.09	1.90	1.73
1055-TA1170	A	DPDT	On-Off-(On)	2.53	2.12	1.91	1.72
1055-TA1175	A	DPDT	(On)-Off-(On)	2.53	2.12	1.91	1.72

Standard Lever - PC Mount

() = Momentary contact

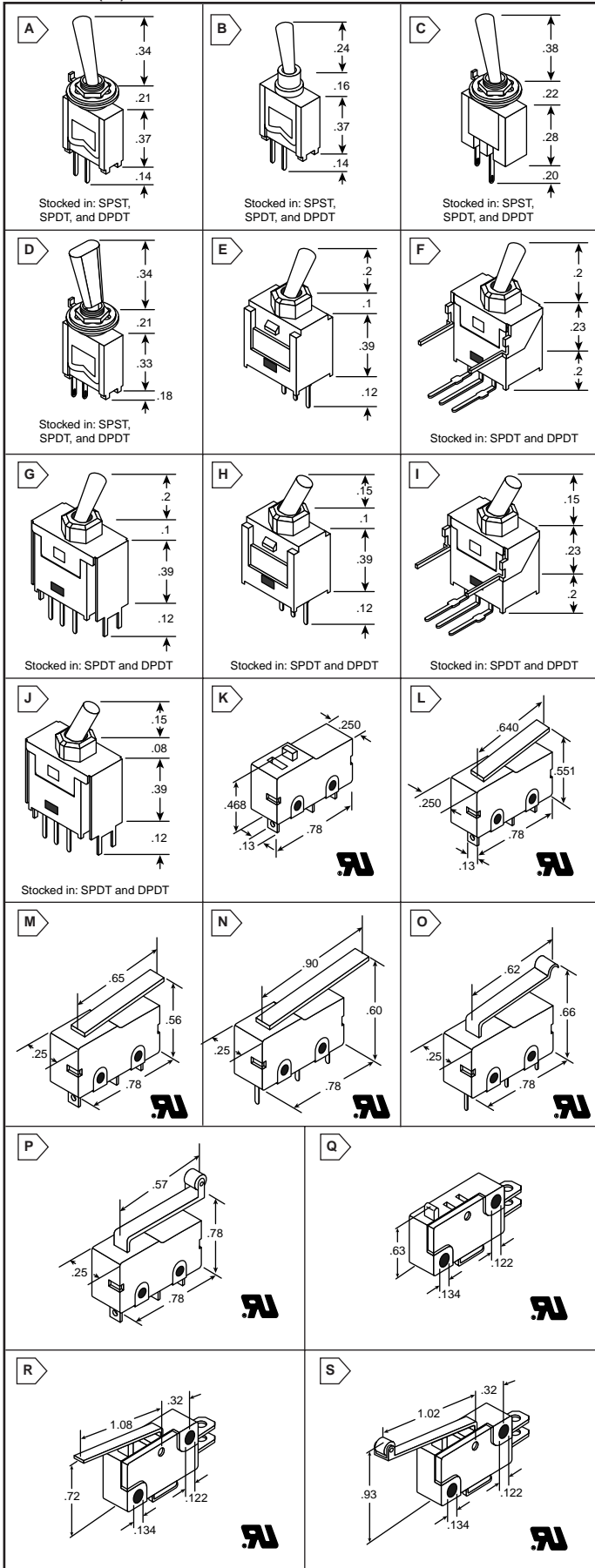
MOUSER STOCK NO.	Fig.	Type	Circuit	Price Each			
				1	10	100	500
1055-TA1220	B	SPST	On-Off	1.70	1.42	1.28	1.15
1055-TA1230	B	SPDT	On-On	2.03	1.69	1.54	1.40
1055-TA1235	B	SPDT	On-Off-On	2.24	1.86	1.69	1.54
1055-TA1260	B	DPDT	On-On	2.79	2.32	2.10	1.92
1055-TA1262	B	DPDT	On-(On)	3.34	2.78	2.53	2.30
1055-TA1265	B	DPDT	On-Off-On	2.79	2.32	2.11	1.92
1055-TA1320	C	SPST	On-Off	1.70	1.42	1.28	1.15
1055-TA1330	C	SPDT	On-On	2.03	1.69	1.54	1.40
1055-TA1345	C	SPDT	(On)-Off-(On)	2.38	1.99	1.80	1.62
1055-TA1360	C	DPDT	On-On	2.77	2.31	2.10	1.92
1055-TA1365	C	DPDT	On-Off-On	2.96	2.47	2.24	2.04

Flat Lever - Solder Tab

() = Momentary contact

MOUSER STOCK NO.	Fig.	Type	Circuit	Price Each			
				1	10	100	500
1055-TA2120	D	SPST	On-Off	1.96	1.63	1.49	1.35
1055-TA2130	D	SPDT	On-On	2.14	1.78	1.62	1.48
1055-TA2135	D	SPDT	On-Off-On	2.27	1.89	1.72	1.56
1055-TA2150	D	DPST	On-Off	2.61	2.18	1.98	1.80
1055-TA2160	D	DPDT	On-On	2.80	2.33	2.12	1.93
1055-TA2165	D	DPDT	On-Off-On	2.98	2.48	2.26	2.05
1055-TA2175	D	DPDT	(On)-Off-(On)	3.23	2.69	2.45	2.23

DIMENSIONS (IN.)



SUB MINIATURE TOGGLE SWITCHES

Specifications:

- Insulation resistance: 100MΩ @ 500VDC (min.)
- Contact resistance: 20mΩ @ 2.5VDC, 100mA (max.)
- Voltage breakdown: 1000VAC / 1 minute

Hi-Rel/Low Current Switches

- PC mount
- Rating: .3A/125VAC
- For quantities greater than listed, call for quote.

MOUSER STOCK NO.	Fig.	Type	Circuit	Price Each			
				1	10	100	500
10TC405	A	SPST	On-Off	2.97	2.48	2.25	2.05
10TC410	A	SPDT	On-On	3.11	2.59	2.36	2.14
10TC415	A	DPDT	On-On	3.78	3.15	2.86	2.60

- PC mount
- Rating: .3A/30VDC

10TC412	A	SPDT	On-Off-On	3.26	2.72	2.47	2.25
10TC418	A	DPDT	On-Off-On	4.05	3.38	3.07	2.79

- PC mount
- Rating: .3A/125VAC

10TC605	B	SPST	On-Off	2.55	2.13	1.93	1.76
10TC610	B	SPDT	On-On	2.65	2.21	2.01	1.86
10TC615	B	DPDT	On-On	3.30	2.75	2.50	2.28

- PC mount
- Rating: .3A/30VDC

10TC612	B	SPDT	On-Off-On	2.88	2.40	2.18	1.98
10TC618	B	DPDT	On-Off-On	3.73	3.11	2.82	2.57

Hi-Rel Standard Lever Switches

- Solder terminals
- Rating: 3A/125VAC
- Gold plated contacts and terminals

MOUSER STOCK NO.	Fig.	Type	Circuit	Price Each			
				1	10	100	500
10TA805	C	SPST	On-Off	3.02	2.52	2.29	2.08
10TA810	C	SPDT	On-On	3.17	2.64	2.40	2.19
10TA815	C	DPDT	On-On	3.96	3.30	3.00	2.73

Lever Switches

- Solder terminals
- Rating: 3A/125VAC
- Silver plated contacts and terminals

10TA305	D	SPST	On-Off	6.14	5.12	4.65	4.23
10TA310	D	SPDT	On-On	3.82	3.18	2.89	2.63
10TA315	D	DPDT	On-On	4.58	3.81	3.47	3.15

ULTRA MINIATURE SEALED TOGGLE SWITCHES

Specifications:

- Rating: 0.4VA, 28VAC or DC
- Contact resistance: 50mΩ (max)
- Insulation resistance: 1000MΩ (min)
- Operating temperature: -20°C to +80°C
- Operating Life: 100,000 cycles

Features:

- Metal and plastic levers available
- Easily installed on crowded PC boards
- Ultra miniature and light weight
- Water resistant and dust proof
- Solderable at 270°C within 5 seconds or 350°C within 3 seconds

Standard Metal Lever

For quantities greater than listed, call for quote.

MOUSER STOCK NO.	Fig.	Type	Circuit	Price Each			
				1	10	100	500
PC Terminals							
108-MS200C-11	E	SPDT	On-Off-On	6.64	6.03	5.48	4.99
Right Angle PC							
108-MS200C-21	F	SPDT	On-Off-On	8.06	6.72	6.11	5.55
PC Terminals with Mounting Bracket							
108-MS200C-31	G	SPDT	On-Off-On	7.89	6.58	5.98	5.43
108-MS200F-31	G	DPDT	On-On	9.12	7.60	6.91	6.28
108-MS200H-31	G	DPDT	On-Off-On	9.59	7.99	7.27	6.61

Black Insulated Baton Lever

PC Terminals							
108-MS200A-12	H	SPDT	On-On	6.41	5.35	4.86	4.42
108-MS200C-12	H	SPDT	On-Off-On	6.39	5.32	4.84	4.40
108-MS200F-12	H	DPDT	On-On	7.64	6.36	5.79	5.26
108-MS200H-12	H	DPDT	On-Off-On	7.92	6.60	6.00	5.46
Right Angle PC							
108-MS200A-22	I	SPDT	On-On	7.68	6.40	5.82	4.85
108-MS200C-22	I	SPDT	On-Off-On	7.01	5.84	5.31	4.83
108-MS200F-22	I	DPDT	On-On	8.86	7.38	6.71	6.10
108-MS200H-22	I	DPDT	On-Off-On	9.20	7.66	6.97	6.33
PC Terminals with Mounting Bracket							
108-MS200A-32	J	SPDT	On-On	6.20	5.17	4.70	4.27
108-MS200C-32	J	SPDT	On-Off-On	6.39	5.32	4.84	4.40
108-MS200F-32	J	DPDT	On-On	7.69	6.41	5.83	5.30
108-MS200H-32	J	DPDT	On-Off-On	7.92	6.60	6.00	5.46

MINIATURE SNAP SWITCHES (SPDT)

For quantities greater than listed, call for quote.

MOUSER STOCK NO.	Fig.	Amp Rating		Oper. Force (GMS.)	Travel (In.)	Price Each			
		@ 125 VAC	@ 250 VAC			1	10	100	500
101-1200	K	5A	5A	115	.030	1.24	1.04	.94	.85
101-1201	L	5A	3A	50	.05	1.24	1.04	.94	.85
101-1202	M	5A	5A	25	.087	1.24	1.04	.94	.85
101-1203	N	5A	5A	18	.125	1.24	1.04	.94	.85
101-1204	O	5A	5A	28	.86	1.24	1.04	.94	.85
101-1205	P	5A	5A	30	.063	1.46	1.21	1.11	1.01
101-1001	Q	10A	6A	170	.05	1.55	1.29	1.16	1.05
101-1002	R	10A	6A	170	.12	1.86	1.55	1.33	1.21
101-1003	S	10A	6A	140	.12	1.90	1.58	1.44	1.32

Rotary Switches

ROTARY SWITCHES

Features:

- Commercial, consumer, and industrial applications
- Supplied with nut and washer
- Solid brass bushings, solid aluminum shafts, plated frame, phenolic contact water

Specifications:

- Contact rating: 0.3 amps @ 125VAC
- Insulation resistance: 10M Ω (min.)
- Contact resistance: 30m Ω (max.)
- Breakdown voltage: 500VAC for 60 seconds
- Rotational torque: 1 to 3Kg/Cm
- Rotational life: 10,000 cycles

Shorting 1/4" Round Shaft (Make-Before-Break)

MOUSER STOCK NO.	Fig.	Poles	Positions	Price Each		
				1	10	100
Solder Terminals						
10WW017	A	1	7	1.54	1.28	1.16
10WW019	A	1	9	1.54	1.28	1.16
10WW025	A	2	5	1.54	1.28	1.16
10WW026	A	2	6	1.54	1.28	1.16
10WW033	A	3	3	1.54	1.28	1.16
10WW034	A	3	4	1.54	1.28	1.16
10WW042	A	4	2	1.54	1.28	1.16
10WW043	A	4	3	1.54	1.28	1.16
10WW052	A	5	2	1.54	1.28	1.16
10WW062	A	6	2	1.54	1.28	1.16
10WW112	A	1	12	1.54	1.28	1.16
10WR027	B	2	7	3.17	2.65	2.41
10WR212	B	2	12	3.17	2.65	2.41
10WR045	B	4	5	3.17	2.65	2.41
10WR046	B	4	6	3.17	2.65	2.41
10WR064	B	6	4	3.17	2.65	2.41
10WR122	B	12	2	3.17	2.65	2.41

Non-Shorting 1/4" Round Shaft (Break-Before-Make)

MOUSER STOCK NO.	Fig.	Poles	Positions	Price Each		
				1	10	100
Solder Terminals						
10YX025	A	2	5	1.57	1.31	1.19
10YX026	A	2	6	1.57	1.31	1.19
10YX034	A	3	4	1.57	1.31	1.19
10YX043	A	4	3	1.57	1.31	1.19
10YX062	A	6	2	1.57	1.31	1.19
10YX112	A	1	12	1.57	1.31	1.19

Non-Shorting 1/4" D-Shaft (Break-Before-Make)

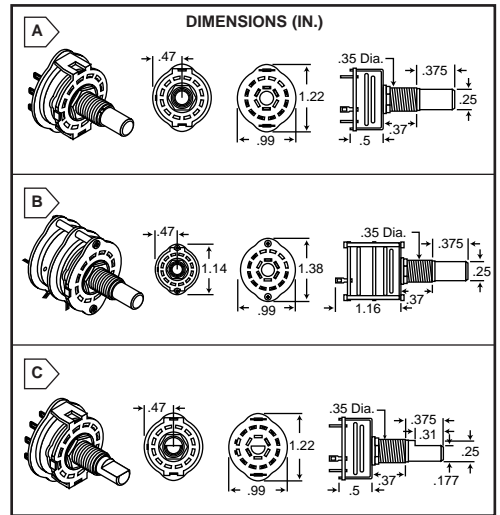
MOUSER STOCK NO.	Fig.	Poles	Positions	Price Each		
				1	10	100
Solder Terminals						
10YD025	C	2	5	1.67	1.40	1.28
10YD026	C	2	6	1.67	1.40	1.28
10YD034	C	3	4	1.67	1.40	1.28
10YD043	C	4	3	1.67	1.40	1.28
10YD062	C	6	2	1.67	1.40	1.28
10YD112	C	1	12	1.67	1.40	1.28

Non-Shorting 1/4" Round-Shaft (Break-Before-Make)

MOUSER STOCK NO.	Fig.	Poles	Positions	Price Each		
				1	10	100
PCB Pins						
10YQ018	A	1	8	1.57	1.31	1.19
10YQ025	A	2	5	1.57	1.31	1.19
10YQ026	A	2	6	1.57	1.31	1.19
10YQ034	A	3	4	1.57	1.31	1.19
10YQ043	A	4	3	1.57	1.31	1.19
10YQ062	A	6	2	1.57	1.31	1.19
10YQ110	A	1	10	1.57	1.31	1.19
10YQ112	A	1	12	1.57	1.31	1.19

Non-Shorting 1/4" D-Shaft (Break-Before-Make)

MOUSER STOCK NO.	Fig.	Poles	Positions	Price Each		
				1	10	100
PCB Pins						
10YT043	C	4	3	1.52	1.27	1.16



Replacement Hardware

The rotary switches are supplied with one nut and one washer. See hardware section for more hardware.

MOUSER STOCK NO.	Type	Size (mm)	Price Each		
			1	100	1000
48AN009	Nut	9	.10	.027	.025
48CW009	Washer	9	.05	.013	.011

Mounting holes for all figures above.

HI-REL FULLY ENCLOSED ADJUSTABLE ROTARY SWITCHES

Features:

- Fully enclosed contacts
- Glass filled nylon
- Nylon design provides maximum shock hazard protection.

Specifications:

- Working voltage: 300VAC or 300VDC (max.)
- Breakdown voltage: 1000V RMS @ 25°C
- Contact resistance: less than 50mΩ (max.)
- Index angle: 30°
- Contact life: over 10,000 operations
- Contact rating: .35A @ 110VAC or DC
.15A @ 250VAC or DC
- Contact plating: .0001" silver

Price Each			
1	10	100	500
2.57	2.14	1.95	Call

Shorting 1/4" Round Shaft (Make-Before-Break)

MOUSER STOCK NO.	Poles	Positions (User Selectable)	Shaft Length (In.)	Price Each			
				1	10	100	500
Solder Terminals							
10S-13571	1	2 - 12	3/8				
10S-13572	2	2 - 6	3/8				
10S-13573	3	2 - 4	3/8				
10S-13574	4	2 - 3	3/8				

Shorting 1/4" D-Shaft (Make-Before-Break)

MOUSER STOCK NO.	Poles	Positions (User Selectable)	Shaft Length (In.)	Price Each			
				1	10	100	500
Solder Terminals							
10WA324	1	2 - 12	1 3/16				
10WA325	2	2 - 6	1 3/16				
10WA326	3	2 - 4	1 3/16				
10WA327	4	2 - 3	1 3/16				
10WA364	1	2 - 12	1/2				
10WA365	2	2 - 6	1/2				
10WA366	3	2 - 4	1/2				
10WA367	4	2 - 3	1/2				
10WA354	1	2 - 12	3/8				
10WA355	2	2 - 6	3/8				
10WA356	3	2 - 4	3/8				
10WA357	4	2 - 3	3/8				
PC Terminals							
10WA344	1	2 - 12	1 3/16				
10WA345	2	2 - 6	1 3/16				
10WA346	3	2 - 4	1 3/16				
10WA347	4	2 - 3	1 3/16				

Non-Shorting 1/4" Round Shaft (Break-Before-Make)

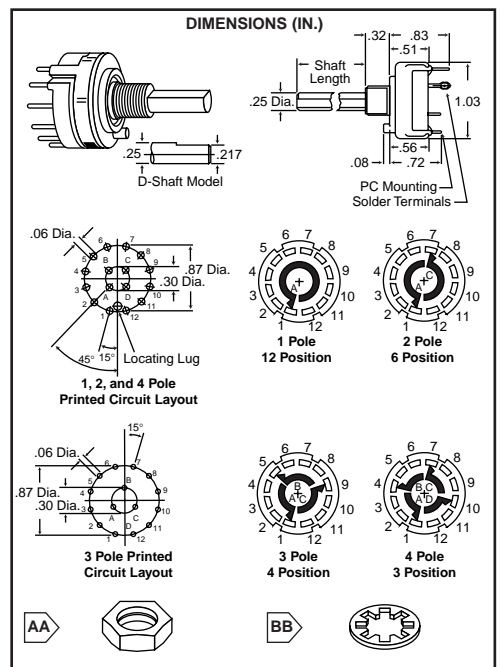
MOUSER STOCK NO.	Poles	Positions (User Selectable)	Shaft Length (In.)	Price Each			
				1	10	100	500
Solder Terminals							
10S-14571	1	2 - 12	3/8				
10S-14572	2	2 - 6	3/8				
10S-14573	3	2 - 4	3/8				
10S-14574	4	2 - 3	3/8				
PC Terminals							
10S-2454	1	2 - 12	3/8				
10S-2455	2	2 - 6	3/8				
10S-2456	3	2 - 4	3/8				
10S-2457	4	2 - 3	3/8				

Non-Shorting 1/4" D-Shaft (Break-Before-Make)

MOUSER STOCK NO.	Poles	Positions (User Selectable)	Shaft Length (In.)	Price Each			
				1	10	100	500
Solder Terminals							
10WA124	1	2 - 12	1 3/16				
10WA125	2	2 - 6	1 3/16				
10WA126	3	2 - 4	1 3/16				
10WA127	4	2 - 3	1 3/16				
10WA164	1	2 - 12	1/2				
10WA165	2	2 - 6	1/2				
10WA166	3	2 - 4	1/2				
10WA167	4	2 - 3	1/2				
10WA154	1	2 - 12	3/8				
10WA155	2	2 - 6	3/8				
10WA156	3	2 - 4	3/8				
10WA157	4	2 - 3	3/8				
PC Terminals							
10WA144	1	2 - 12	1 3/16				
10WA145	2	2 - 6	1 3/16				
10WA146	3	2 - 4	1 3/16				
10WA147	4	2 - 3	1 3/16				
10WA134	1	2 - 12	1/2				
10WA135	2	2 - 6	1/2				
10WA136	3	2 - 4	1/2				
10WA137	4	2 - 3	1/2				
10WA174	1	2 - 12	3/8				
10WA175	2	2 - 6	3/8				
10WA176	3	2 - 4	3/8				
10WA177	4	2 - 3	3/8				

REPLACEMENT HARDWARE

MOUSER STOCK NO.	Fig.	Size (mm)	Price Each		
			1	100	1000
481-0095	AA	M9.5 x .75	.26	.13	Call
481-0680	BB	10	.17	.056	Call



CONTINUOUS ROTATION SWITCHES

Non-Shorting 1/4" D-Shaft (Break-Before-Make)

MOUSER STOCK NO.	Poles	Positions (Max.)	Shaft Length (In.)	Price Each		
				1	10	100
Solder Terminals						
10WC204	1	12	3/8	2.57	2.14	1.95
10WC205	2	6	3/8	2.57	2.14	1.95
10WC224	1	12	1/2	2.57	2.14	1.95
10WC225	2	6	1/2	2.57	2.14	1.95
10WC244	1	12	1 3/16	2.57	2.14	1.95
10WC245	2	6	1 3/16	2.57	2.14	1.95
PC Terminals						
10WC404	1	12	3/8	2.57	2.14	1.95
10WC405	2	6	3/8	2.57	2.14	1.95
10WC424	1	12	1/2	2.57	2.14	1.95
10WC425	2	6	1/2	2.57	2.14	1.95
10WC444	1	12	1 3/16	2.57	2.14	1.95
10WC445	2	6	1 3/16	2.57	2.14	1.95

Slide, Push Button, and Rocker Switches

DIMENSIONS (IN.)

Technical drawings of mouse switches labeled A through Y. Dimensions are in inches. Some drawings include electrical schematics for models U and V.

- Contact resistance: 10mΩ max.
- Insulation resistance: 1000MΩ min.
- Electrical life: 30,000 cycles
- Operating temperature: -30°C to +85°C
- ※ Nickel plated

MINIATURE

For quantities greater than listed, call for quote.

MOUSER STOCK NO.	Fig.	Type	Circuit	Knob Ht. (In.)	Rating	Price Each		
						1	10	100
PC Terminals								
*10SP001	A	SPDT	On-On	.15	.5A 50VDC	.34	.29	.26
*10SP003	B	SPDT	On-On	.15	.5A 50VDC	.36	.31	.27
10SP013	C	SPDT	On-On	.14	.5A 50VDC	.42	.34	.28
102-1401	D	DPDT	On-On	.16	.3A 30VDC	.64	.49	.45
102-1402	D	DPDT	On-Off-On	.16	.3A 30VDC	.64	.49	.45
102-1501	E	DPDT	On-On	.20	.3A 30VDC	.73	.56	.50
102-1502	E	DPDT	On-Off-On	.20	.3A 30VDC	.73	.56	.50
102-1602	F	DPDT	On-Off-On	.33	.3A 30VDC	.79	.61	.56
Solder Terminals								
10SM007	G	SPDT	On-On	.16	.3A 125VDC	.45	.34	.31

SUBMINIATURE

For quantities greater than listed, call for quote.

MOUSER STOCK NO.	Fig.	Type	Circuit	Rating	Price Each			
					1	10	100	
PC Terminals								
10SP012	H	DPDT	On-On	.28	.5A 50VDC	.34	.31	.27
10SP002	I	DPDT	On-On	.24	.3A 125VDC	.42	.34	.31
10SP004	I	DPDT	On-On	.47	.3A 125VDC	.42	.34	.31
10SL005	J	DPDT	On-On	.51	.5A 50VDC	.45	.39	.36
10SP018	K	SPDT	On-On	.15	.5A 50VDC	.43	.36	.33
*10SP019	K	SPDT	On-On	.15	.5A 50VDC	.43	.36	.33
10SL009	L	DPDT	On-On	.59	.5A 50VDC	.50	.40	.36
102-1221	M	SPDT	On-On	.20	5A 120VAC	2.58	2.23	1.88
102-1261	N	SPDT	On-On	.186	5A 120VAC	2.92	2.52	2.13
102-1271	O	SPDT	On-On	.186	5A 120VAC	2.92	2.52	2.13
102-2221	P	DPDT	On-On	.20	5A 120VAC	4.69	4.09	3.43
102-2261	Q	DPDT	On-On	.186	5A 120VAC	5.78	4.92	4.17
Solder Terminals								
10SM002	R	DPDT	On-On	.35	.5A 50VDC	.34	.26	.21
10SL001	S	DPDT	On-On	.47	.5A 50VDC	.53	.45	.41
102-1211	T	SPDT	On-On	.20	5A 120VAC	2.49	2.17	1.82
102-2211	U	DPDT	On-On	.20	5A 120VAC	3.55	2.99	2.53

STANDARD SIZE

For quantities greater than listed, call for quote.

MOUSER STOCK NO.	Fig.	Type	Circuit	Rating	Price Each			
					1	100	10,000	
PC Terminals								
10SP015	V	DP3T	On-On-On	.36	.5A 50VDC	.69	.59	.54
10SL008	W	DP3T	On-On-On	.59	.5A 50VDC	.88	.70	.64
Solder Terminals								
10SP016	X	DP3T	On-On-On	.36	.5A 50VDC	.69	.59	.54
10SD002	Y	DPDT	On-On	.35	.5A 125VDC	1.27	1.05	.96
Screws for 10SM002								
MOUSER STOCK NO.	Thread Size (mm)	Length (mm)	Price Each					
*48SM004	M2 x 0.4	4	.04	.012	.011	.01		
48SM006	M2 x 0.4	6	.04	.012	.011	.01		

PUSH BUTTON SWITCHES

- Insulation resist.: 500VDC 100MΩ min.
- Dielectric strength: AC 1000V 1 minute

DIMENSIONS (IN.)

Technical drawings of push button switches labeled A through I. Dimensions are in inches. A 'NEW THIS YEAR!' badge is present on drawing I.

() = Momentary contact

For quantities greater than listed, call for quote.

MOUSER STOCK NO.	Fig.	Type	Rating VAC	Circuit	Color	Button	Price Each		
							1	10	100
103-1012	A	SPST	1.5A / 250V	Off-(On)	Silver	Red	.83	.70	.63
103-1013	A	SPST	1.5A / 250V	Off-(On)	Silver	Black	.83	.70	.63
103-1015	A	SPST	1.5A / 250V	On-(Off)	Silver	Red	.83	.70	.63
103-1016	A	SPST	1.5A / 250V	On-(Off)	Silver	Black	.83	.70	.63
103-1018	B	SPST	.5A / 125V	Off-(On)	Silver	Red	1.02	.85	.77
103-1019	B	SPST	.5A / 125V	Off-(On)	Silver	Black	1.02	.85	.77
103-1022	C	SPST	1.5A / 250V	Off-(On)	Silver	Red	1.07	.90	.81
103-1023	C	SPST	1.5A / 250V	Off-(On)	Silver	Black	1.07	.90	.81
103-1024	C	SPST	1.5A / 250V	On-(Off)	Silver	Red	1.07	.90	.81
103-1025	C	SPST	1.5A / 250V	On-(Off)	Silver	Black	1.07	.90	.81
103-1026	D	SPST	3.0A / 250V	Off-(On)	Black	Red	1.18	.99	.90
103-1028	D	SPST	3.0A / 250V	On-Off	Black	Red	1.18	.99	.90
103-1210	E	SPST	1.0A / 125V	Off-(On)	Black	Red	.83	.70	.63
103-1211	E	SPST	1.0A / 125V	Off-(On)	Black	Black	.83	.70	.63
103-1212	E	SPST	1.0A / 125V	On-(Off)	Black	Red	.83	.70	.63

() = Momentary contact

For quantities greater than listed, call for quote.

MOUSER STOCK NO.	Fig.	Type	Rating VAC	Circuit	Color	Button	Price Each		
							1	10	100
103-1213	E	SPST	1.0A / 125V	On-(Off)	Black	Black	.83	.70	.63
103-1322	F	SPST	3.0A / 125V	Off-(On)	Black	Red	2.23	1.85	1.69
103-1323	F	SPST	3.0A / 125V	Off-(On)	Black	Black	2.23	1.85	1.69
103-1332	G	SPST	3.0A / 125V	Off-(On)	Black	Red	2.05	1.71	1.55
103-1422	F	SPST	1.0A / 125V	On-Off	Black	Red	2.46	2.06	1.85
103-1423	F	SPST	1.0A / 125V	On-Off	Black	Black	2.46	2.06	1.85
103-1432	G	SPST	3.0A / 125V	On-Off	Black	Red	2.72	2.28	2.05
103-1433	G	SPST	3.0A / 125V	On-Off	Black	Black	2.72	2.28	2.05
103-2022	H	SPST	3.0A / 125V	Off-(On)	Silver	Black	1.09	.91	.82
103-2031	H	SPST	3.0A / 125V	On-Off	Silver	Red	1.36	1.14	1.03
103-50210	I	SPST	3.0A / 125V	Off-(On)	Black	Black	1.65	1.39	1.27
103-50211	I	SPST	3.0A / 125V	Off-(On)	Black	Red	1.65	1.39	1.27
103-50220	I	SPST	3.0A / 125V	Off-(On)	Silver	Black	2.30	1.92	1.75
103-50221	I	SPST	3.0A / 125V	Off-(On)	Silver	Red	2.30	1.92	1.75

ROCKER SWITCHES

DIMENSIONS (IN.)

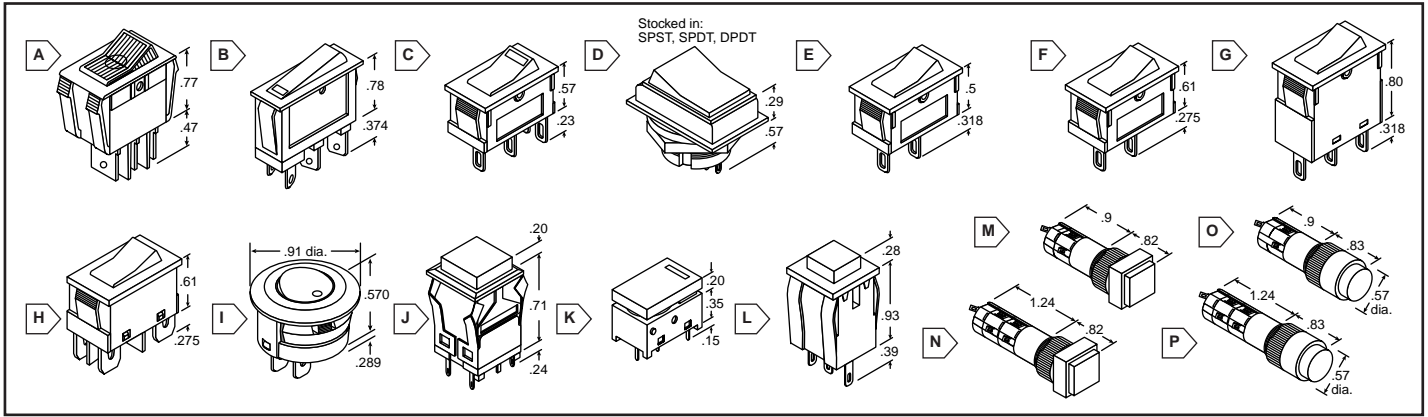
Technical drawings of rocker switches labeled A through F. Dimensions are in inches.

Specifications:

- Contact resistance: 50mΩ max.
- Dielectric strength: AC 1500V 1 minute
- Insulation resistance: DC 500V 100MΩ min.



MOUSER STOCK NO.	Fig.	Type	Rating	Circuit	Price Each			
					1	10	100	500
103-R13-49A	A	SPST	10A / 125V	On-Off	1.61	1.34	1.22	1.11
103-R13-70A	B	SPST	16A / 125V	On-Off	1.51	1.25	1.14	1.04
103-R13-72A	C	SPST	15A / 125V	On-Off	1.67	1.39	1.27	1.15
103-R13-73A	D	DPST	10A / 125V	On-Off	2.03	1.69	1.54	1.40
103-R13-91A	E	SPST	16A / 125V	On-Off	1.51	1.25	1.14	1.04
Miniature								
1055-RA1120	F	SPST	6A @ 125V 3A @ 250	On-Off	2.16	1.81	1.63	1.47
1055-RA1130	F	SPDT		On-On	2.32	1.94	1.75	1.58
1055-RA1135	F	SPDT		On-Off-On	2.70	2.25	2.05	1.86
1055-RA1160	F	DPDT		On-On	3.05	2.54	2.31	2.10
1055-RA1165	F	DPDT	On-Off-On	3.22	2.69	2.44	2.32	



ILLUMINATED ROCKER SWITCHES

- Circuit: on-off
 - 2VDC LED (included), except on Fig. A 10DS322.
 - Black switch body
 - 10DS322 has a 110VAC neon lamp with internal dropping resistor
 - Solder terminals
- For quantities greater than listed, call for quote.

MOUSER STOCK NO.	Fig.	Type	Rating (AC)	Button Color	Dim. (In.)		Mtg. Hole (In.)	Price Each		
					L	W		1	10	100
* 10DS322	A	SPST	15A 125V	Amber	1.26	.63	1.12x.47	6.67	5.56	5.05
* 10DS413	B	SPST	10A 125V	White LED	1.28	.42	1.27x.433	6.86	5.71	5.19
* 107-DS850K-OR	C	SPST	5A 125V	Red LED	.83	.59	.51x.76	4.62	3.85	3.50
* 107-DS850K-OG	C	SPST	5A 125V	Green LED	.83	.59	.51x.76	4.62	3.85	3.50
* 107-DS850K-OY	C	SPST	5A 125V	Yel LED	.83	.59	.51x.76	4.62	3.85	3.50

ROCKER SWITCHES

- Insulation resistance: 100MΩ min. @ 500VDC
 - Contact resistance: 20mΩ @ 1A 2.5VDC
 - Breakdown voltage: 1500VAC for 1 minute
 - Thread pitch: M18 x 1 (Fig.'s D & E)
 - Frame color: black
- For quantities greater than listed, call for quote.

Solder Terminals

MOUSER STOCK NO.	Fig.	Type	Circuit	Button Color	Frame Color	Mtg. Hole (In.)	Price Each		
							1	10	100
10DS388	D	SPST	On-Off	6A 125V	White	1.18 .79 .71	3.52	2.94	2.67
10DS389	D	SPDT	On-On	6A 125V	White	1.18 .79 .71	4.23	3.52	3.20
10DS390	D	DPDT	On-On	6A 125V	White	1.18 .79 .71	5.79	4.82	4.38
* 107-DS850K-00	E	SPST	On-Off	5A 125V	Black	.83 .59 .76x.51	2.39	2.00	1.81
* 107-DS850K-01	E	SPST	On-Off	5A 125V	Wht dot	.83 .59 .76x.51	2.41	2.01	1.82
* 107-DS850K-02	F	SPST	On-Off	5A 125V	On-Off	.83 .59 .75x.51	2.56	2.13	1.94
* 107-DS850K-00	G	SPDT	On-On	5A 125V	Black	.83 .59 .75x.51	3.93	3.27	2.98

.187" Faston Terminals

MOUSER STOCK NO.	Fig.	Type	Circuit	Button Color	Frame Color	Mtg. Hole (In.)	Price Each		
							1	10	100
107-DS850S-20	H	DPST	On-Off	10A/250V	Black	.83 .59 .76x.51	4.37	3.64	3.31
107-DS850S-21	H	DPST	On-Off	10A/250V	Wh dot	.83 .59 .76x.51	4.47	3.72	3.39
107-DS850S-22	H	DPST	On-Off	10A/250V	On-Off	.83 .59 .75x.51	4.52	3.76	3.42
107-DS850S-23	H	DPST	On-Off	10A/250V	I/O	.83 .59 .75x.51	4.52	3.76	3.42

ROUND ROCKER SWITCHES

- Ins. resistance: 100MΩ (min.) @ 500VDC
 - Breakdown voltage: 1500VAC for 1 min.
 - Rating: 5A @ 125VAC
 - .187" Faston Terminals
- For quantities greater than listed, call for quote.

MOUSER STOCK NO.	Fig.	Circuit	Type	Button Color	Frame Color	Mtg. Hole (In.)	Price Each		
							1	10	100
10DS059KG-B	I	Off-On	SPST	Black	Gold	.803	5.56	4.62	4.20
10DS059KG-R	I	Off-On	SPST	Red	Gold	.803	5.56	4.62	4.20
10DS059KC-B	I	Off-On	SPST	Black	Silver	.803	3.78	3.15	2.86
10DS059KC-R	I	Off-On	SPST	Red	Silver	.803	3.78	3.15	2.86

MINIATURE ILLUMINATED PUSH BUTTON SWITCHES

- Standard with 12V lamp or 2.0V LED (included)
 - Rated: 0.1a / 30VDC
 - Circuit: alternating DPST
 - Contact resistance: 20mΩ (max.)
 - Mounting hole: .5" x .5"
- For quantities greater than listed, call for quote.

MOUSER STOCK NO.	Fig.	Circuit	Illuminated	Dim. (In.)	Price Each				
					L	W	1	10	100
107-MS800ELR	J	On-Off	Off-On	LED 2V	Red	.55 .55	7.76	6.47	5.88
107-MS800ELG	J	On-Off	Off-On	LED 2V	Green	.55 .55	7.76	6.47	5.88
107-MS800ELY	J	On-Off	Off-On	LED 2V	Yellow	.55 .55	7.76	6.47	5.88
107-MS800EFR	J	On-Off	Off-On	Lamp 12V	Red	.55 .55	9.45	7.87	7.16
107-MS800EFG	J	On-Off	Off-On	Lamp 12V	Green	.55 .55	9.42	7.85	7.14
107-MS800EFY	J	On-Off	Off-On	Lamp 12V	Yellow	.55 .55	9.42	7.85	7.14
107-MS800FLR	J	On-Off	(Off)-(On)	LED 2V	Red	.55 .55	7.29	6.07	5.52
107-MS800FLG	J	On-Off	(Off)-(On)	LED 2V	Green	.55 .55	7.29	6.07	5.52
107-MS800FLY	J	On-Off	(Off)-(On)	LED 2V	Yellow	.55 .55	7.29	6.07	5.52
107-MS800FFR	J	On-Off	(Off)-(On)	Lamp 12V	Red	.55 .55	8.96	7.46	6.79
107-MS800FFG	J	On-Off	(Off)-(On)	Lamp 12V	Green	.55 .55	8.96	7.46	6.79
107-MS800FFY	J	On-Off	(Off)-(On)	Lamp 12V	Yellow	.55 .55	8.96	7.46	6.79

- LED reverse voltage: 4V
 - LED forward voltage (If=20mA): 2.1V
 - LED included
 - LED forward current: 25mA
 - Circuit: SPST
 - Rating: 1A / 125VDC
 - PC terminals
- For quantities greater than listed, call for quote.

MOUSER STOCK NO.	Fig.	Circuit	LED Color	Button Color	Dimensions (In.)		Price Each		
					L	W	1	10	100
107-6610	K	Off-(On)	Red	Black	.61	.39	3.62	3.02	2.74
107-6611	K	Off-(On)	Red	Gray	.61	.39	3.62	3.02	2.74
107-6612	K	Off-(On)	Green	Black	.61	.39	3.62	3.02	2.74
107-6613	K	Off-(On)	Green	Gray	.61	.39	3.62	3.02	2.74
107-6614	K	Off-(On)	Yellow	Black	.61	.39	3.67	3.06	2.78
107-6615	K	Off-(On)	Yellow	Gray	.61	.39	3.67	3.06	2.78

ILLUMINATED PUSH BUTTON SWITCHES

- Supplied with 6.3V T1-3/4 screw base lamp
 - Snap-in mounting
 - Lamp wired separately from switch contacts
 - Rating: 1A @ 125V
- For quantities greater than listed, call for quote.

() = Momentary Contact

MOUSER STOCK NO.	Fig.	Type	Circuit	Button Color	Dim. (In.)		Mtg. Hole (In.)	Price Each		
					L	W		1	10	100
10PL001	L	SPST	Off-(On)	Red	.82	.82	.71 x .71	5.43	4.52	4.11
10PL002	L	SPST	Off-(On)	Green	.82	.82	.71 x .71	5.43	4.52	4.11
10PL003	L	SPST	Off-(On)	Yellow	.82	.82	.71 x .71	5.43	4.52	4.11
10PL004	L	SPST	Off-(On)	Blue	.82	.82	.71 x .71	5.43	4.52	4.11
10PL005	L	SPST	Off-(On)	White	.82	.82	.71 x .71	5.43	4.52	4.11

HI-REL LED ILLUMINATED PUSH BUTTON SWITCHES

- Instrument grade
 - Rating: 1A / 250VAC, 3A / 125VAC
 - Contact resistance: 10mΩ (max.)
 - 2 VDC LED (included)
 - Electrical life: 50,000 operations
 - Thread pitch: M18 x 1
- For quantities greater than listed, call for quote.

Square

() = Momentary Contact

MOUSER STOCK NO.	Fig.	Type	Circuit	Button Color	Dim. (In.)		Mtg. Hole (In.)	Price Each		
					L	W		1	10	100
10PL051	M	SPDT	On-On	Red	.57	.57	.472	16.82	14.01	12.74
10PL053	M	SPDT	On-On	Yellow	.57	.57	.472	16.82	14.01	12.74
10PL056	M	SPDT	On-On	Green	.57	.57	.472	16.82	14.01	12.74
10PL061	N	DPDT	On-On	Red	.57	.57	.472	21.36	19.42	17.66
10PL063	N	DPDT	On-On	Yellow	.57	.57	.472	21.36	19.42	17.66
10PL066	N	DPDT	On-On	Green	.57	.57	.472	21.36	19.42	17.66
10PL071	M	SPDT	On-(On)	Red	.57	.57	.472	13.92	12.65	11.50
10PL073	M	SPDT	On-(On)	Yellow	.57	.57	.472	13.92	12.65	11.50
10PL076	M	SPDT	On-(On)	Green	.57	.57	.472	13.92	12.65	11.50
10PL091	N	DPDT	On-(On)	Red	.57	.57	.472	19.06	17.33	15.77
10PL093	N	DPDT	On-(On)	Yellow	.57	.57	.472	19.06	17.33	15.77
10PL096	N	DPDT	On-(On)	Green	.57	.57	.472	19.06	17.33	15.77

Round

() = Momentary Contact

MOUSER STOCK NO.	Fig.	Type	Circuit	Button Color	Mtg. Hole (In.)	Price Each		
						1	10	100
10PL011	O	SPDT	On-On	Red	.472	16.82	14.01	12.74
10PL013	O	SPDT	On-On	Yellow	.472	16.82	14.01	12.74
10PL016	O	SPDT	On-On	Green	.472	16.82	14.01	12.74
10PL021	P	DPDT	On-On	Red	.472	21.36	19.42	17.66
10PL023	P	DPDT	On-On	Yellow	.472	21.36	19.42	17.66
10PL026	P	DPDT	On-On	Green	.472	21.36	19.42	17.66
10PL031	O	SPDT	On-(On)	Red	.472	13.92	12.65	11.50
10PL033	O	SPDT	On-(On)	Yellow	.472	13.92	12.65	11.50
10PL036	O	SPDT	On-(On)	Green	.472	13.92	12.65	11.50
10PL041	P	DPDT	On-(On)	Red	.472	19.10	17.36	15.79
10PL043	P	DPDT	On-(On)	Yellow	.472	19.10	17.36	15.79
10PL046	P	DPDT	On-(On)	Green	.472	19.10	17.36	15.79

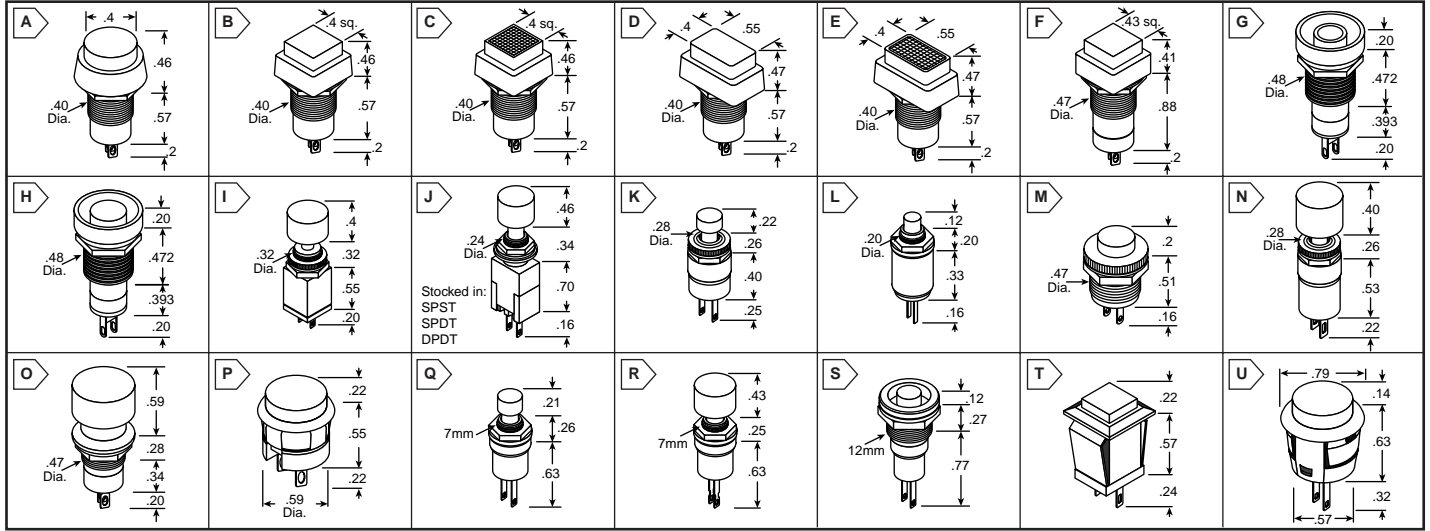
REPLACEMENT LAMPS AND LEDS

These lamps and LEDs are replacements for lamps and LEDs in MS-800 and 10PL Series switches.

MOUSER STOCK NO.	Button Color	Color	Type	Price Each			
				1	10	100	500
352-6121	107MS800	---	6V filament	2.72	2.26	2.06	1.87
352-6141	107MS800	---	12V filament	2.72	2.26	2.06	1.87
352-6161	107MS800	---	28V filament	3.40	2.84	2.58	2.34
351-1611	107MS800	Red	LED	1.14	.88	.80	.72
351-1621	107MS800	Green	LED	1.18	.91	.83	.75
351-1631	107MS800	Yellow	LED	1.23	.95	.83	.78
351-1511	10PL	Red	LED	2.52	2.10	1.91	1.73
351-1521	10PL	Green	LED	2.66	2.22	2.02	1.83
351-1531	10PL	Yellow	LED	2.66	2.22	2.02	1.83

Quick Mount Replacement Tool

MOUSER STOCK NO.	Description	Price Each			
		1	10	100	500
382-0101	Replacement LED tool	.43	.31	.29	.26



SOFT TOUCH MINIATURE SWITCHES

- Mechanical life: 100,000 operations • Rating: 3A/125VAC, 1A/250VAC
- Electrical life: 50,000 operations • Button material: Metal is aluminum, all others are molded plastic
- SPST

() Momentary contact

MOUSER STOCK NO.	Fig.	Button Color	Frame Color	Circuit	Price Each			
					1	10	100	500
Rating: 3A @ 125VAC								
10PA322	A	Red	Black	Off-(On)	3.06	2.55	2.32	2.11
10PP422	A	Red	Black	On-Off	3.38	2.82	2.56	2.33
10PA323	A	Black	Black	Off-(On)	3.06	2.55	2.32	2.11
10PP423	A	Black	Black	On-Off	3.38	2.82	2.56	2.33
10PA325	A	Silver	Black	Off-(On)	4.18	3.49	3.17	2.88
10PP425	A	Silver	Black	On-Off	4.51	3.76	3.42	3.11
10PA326	A	Silver	Silver	Off-(On)	5.31	4.22	4.02	3.65
10PP426	A	Silver	Silver	On-Off	5.64	4.70	4.27	3.88
10PA332	B	Red	Black	Off-(On)	3.10	2.59	2.35	2.14
10PP432	B	Red	Black	On-Off	3.43	2.86	2.60	2.37
10PA333	B	Black	Black	Off-(On)	3.10	2.59	2.35	2.14
10PP433	B	Black	Black	On-Off	3.43	2.86	2.60	2.37
10PA335	B	Silver	Black	Off-(On)	4.24	3.53	3.21	2.92
10PP435	B	Silver	Black	On-Off	4.55	3.79	3.45	3.14
10PA336	B	Silver	Silver	Off-(On)	5.36	4.47	4.06	3.69
10PP436	B	Silver	Silver	On-Off	5.67	4.74	4.31	3.92
10PA338	C	Silver	Black	Off-(On)	4.23	3.52	3.20	2.91
10PP438	C	Silver	Black	On-Off	4.55	3.79	3.45	3.14
10PA339	C	Silver	Silver	Off-(On)	5.36	4.46	4.06	3.69
10PP439	C	Silver	Silver	On-Off	5.69	4.74	4.31	3.92
10PA342	D	Red	Black	Off-(On)	3.01	2.51	2.28	2.08
10PP442	D	Red	Black	On-Off	3.33	2.78	2.53	2.30
10PA343	D	Black	Black	Off-(On)	3.01	2.51	2.28	2.08
10PP443	D	Black	Black	On-Off	3.33	2.78	2.53	2.30
10PA345	D	Silver	Black	Off-(On)	4.13	3.44	3.13	2.84
10PP445	D	Silver	Black	On-Off	4.46	3.72	3.38	3.07
10PA346	D	Silver	Silver	Off-(On)	5.26	4.38	3.98	3.62
10PP446	D	Silver	Silver	On-Off	5.59	4.66	4.24	3.85
10PA348	E	Silver	Black	Off-(On)	4.13	3.44	3.13	2.84
10PP448	E	Silver	Black	On-Off	4.46	3.72	3.38	3.07
10PA349	E	Silver	Silver	Off-(On)	5.26	4.38	3.99	3.62
10PP449	E	Silver	Silver	On-Off	5.59	4.66	4.24	3.85
Rating: 3A @ 250VAC								
107-MS198-RED	F	Red	Black	On-Off	4.27	3.56	3.24	2.94
107-MS198-BLK	F	Black	Black	On-Off	4.27	3.56	3.24	2.94
107-MS199-RED	F	Red	Black	Off-(On)	4.27	3.56	3.24	2.94

GUARDED PUSH BUTTON SWITCHES

- Rating: 3A/125VAC
- Contact resistance: 20mΩ
- Voltage breakdown: 1000V for 1 min.
- SPST
- Mounting hole: .48"
- Solder terminals

107-1259-B	G	Black	Black	Off-(On)	3.30	2.75	2.50	2.29
107-1259-R	G	Red	Black	Off-(On)	3.30	2.75	2.50	2.29
107-1259-S	G	Silver	Black	Off-(On)	3.30	2.75	2.50	2.29
107-2259-R	G	Red	Gray	Off-(On)	3.30	2.75	2.50	2.29
107-2259-S	G	Silver	Gray	Off-(On)	3.30	2.75	2.50	2.29
107-1262-R	H	Red	Black	Off-(On)	2.77	2.31	2.10	1.92
107-1262-B	H	Black	Black	Off-(On)	2.77	2.31	2.10	1.92
107-2262-R	H	Red	Gray	Off-(On)	2.77	2.31	2.10	1.92
107-2262-G	H	Gray	Gray	Off-(On)	2.77	2.31	2.10	1.92

STANDARD TOUCH

() Momentary contact

MOUSER STOCK NO.	Fig.	Type	Circuit	Button Color	Rating	Price Each			
						1	10	100	500
10PA201	I	SPST	Off-(On)	Red	3A 125V	2.99	2.47	2.25	2.04
10PA202	I	SPST	Off-(On)	Black	3A 125V	2.99	2.47	2.25	2.04
10PP221	J	SPST	On-Off	Red	3A 125V	4.74	3.95	3.59	3.26
10PP222	J	SPST	On-Off	Black	3A 125V	4.74	3.95	3.59	3.26
10PP231	J	SPDT	On-On	Red	3A 125V	5.01	4.18	3.80	3.45
10PP232	J	SPDT	On-On	Black	3A 125V	5.01	4.18	3.80	3.45
10PP241	J	DPDT	On-On	Red	3A 125V	6.01	5.01	4.55	4.14
10PP242	J	DPDT	On-On	Black	3A 125V	6.01	5.01	4.55	4.14
10PA220	K	SPST	Off-(On)	Red	1A 125V	1.92	1.60	1.46	1.32
10PA221	K	SPST	Off-(On)	Black	1A 125V	1.92	1.60	1.46	1.32
10PA018	L	SPST	Off-(On)	Red	.5A 125V	1.88	1.57	1.42	1.30
10PA019	L	SPST	Off-(On)	Black	.5A 125V	1.88	1.57	1.42	1.30
10PA080	M	SPST	Off-(On)	Black	1A 125V	2.54	2.11	1.92	1.75
10PA111	N	SPST	Off-(On)	Red	1A 125V	2.22	1.85	1.70	1.53
10PA112	N	SPST	Off-(On)	Black	1A 125V	2.22	1.85	1.70	1.53
10PA121	N	SPST	On-Off	Red	1A 125V	2.65	2.21	2.01	1.82
10PA122	N	SPST	On-Off	Black	1A 125V	2.65	2.21	2.01	1.82
10PM031	O	SPST	On-Off	Red	3A 250V	4.09	3.41	3.10	2.82
10PM021	O	SPST	Off-(On)	Red	3A 250V	2.72	2.27	2.06	1.88
10PM022	O	SPST	Off-(On)	Black	3A 250V	2.72	2.27	2.06	1.88
10PT561	P	SPST	Off-(On)	Red	3A 125V	2.82	2.35	2.13	1.94
10PT562	P	SPST	Off-(On)	Black	3A 125V	2.82	2.35	2.13	1.94
10PT563	P	SPST	Off-(On)	Cream	3A 125V	2.82	2.35	2.13	1.94

STANDARD PUSH BUTTON SWITCHES

- Solder terminals

() Momentary contact

MOUSER STOCK NO.	Fig.	Type	Circuit	Button Color	Rating	Price Each			
						1	10	100	500
10PA010	Q	SPST	Off-(On)	White	1A 125V	.93	.77	.70	.63
10PA011	Q	SPST	Off-(On)	Green	1A 125V	.93	.77	.70	.63
10PA012	Q	SPST	Off-(On)	Red	1A 125V	.93	.77	.70	.63
10PA013	Q	SPST	Off-(On)	Black	1A 125V	.93	.77	.70	.63
10PA015	Q	SPST	On-Off	Red	1A 125V	1.22	1.01	.92	.84
10PA016	Q	SPST	On-Off	Black	1A 125V	1.22	1.01	.92	.84
10PA022	R	SPST	Off-(On)	Red	1A 125V	1.22	1.01	.92	.84
10PA023	R	SPST	Off-(On)	Black	1A 125V	1.22	1.01	.92	.84
10PA032	S	SPST	Off-(On)	Red	1A 125V	2.76	2.30	2.09	1.90
10PA033	S	SPST	Off-(On)	Black	1A 125V	2.76	2.30	2.09	1.90

MOLDED PLASTIC

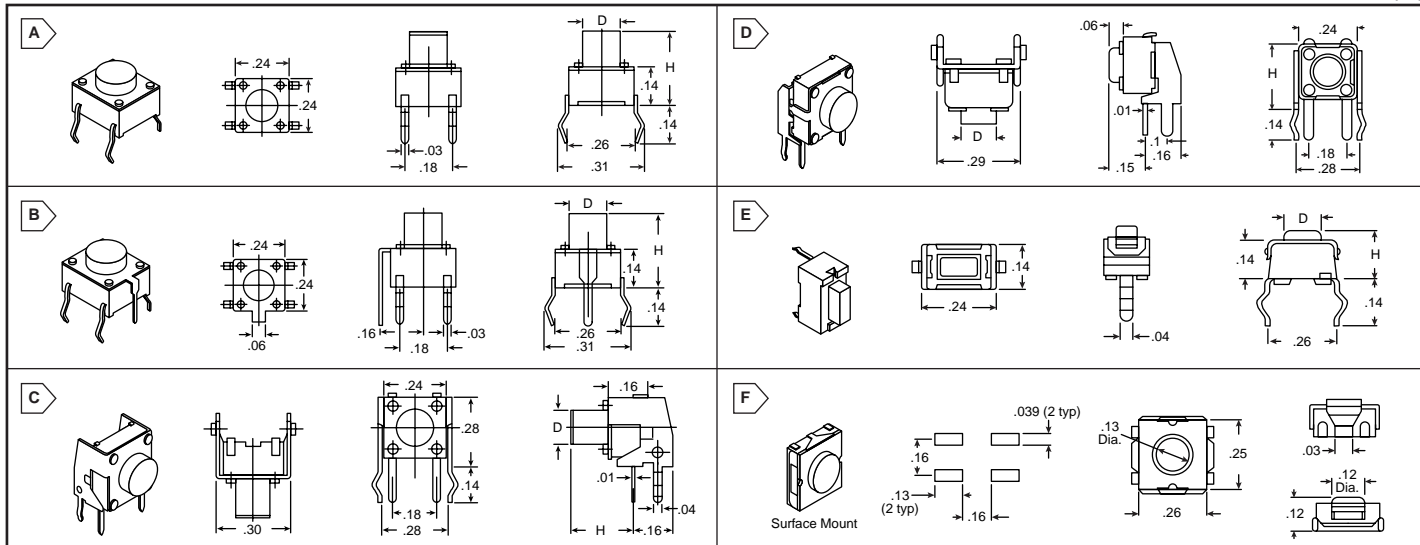
- Solder terminals

() Momentary contact

MOUSER STOCK NO.	Fig.	Type	Circuit	Color	Rating	Price Each			
						1	10	100	500
10PA210	T	SPST	Off-(On)	Red	1A 125V	1.94	1.62	1.47	1.33
10PA211	T	SPST	Off-(On)	Black	1A 125V	1.94	1.62	1.47	1.33
10PA005	U	SPST	Off-(On)	Red	3A 125V	1.69	1.40	1.28	1.16
107-DS412W	U	SPST	Off-(On)	White	3A 125V	1.69	1.40	1.28	1.16

Push Button and Keypad Switches

DIMENSIONS (IN.)



Mountain Switch MICROMINIATURE KEYPAD SWITCHES

Specifications:

- Rating: 12VDC 50mA
- Insulation resistance: >100MΩ 250VDC
- Withstanding voltage: 250VAC for 1 min.
- Soldering temperature: 255°C max. 5 sec
- Mechanical life: 500,000 cycles
- Electrical life: 300,000 cycles
- Contact resistance: <100mΩ

For quantities greater than listed, call for quote.

MOUSER STOCK NO.	Fig.	Dimensions (In.)		Operating Force (gf)	Price Each			
		H	D		1	10	100	500
101-0161	A	.17	.14	130	.20	.17	.15	.14
101-0261	A	.20	.14	130	.20	.17	.15	.14
101-0361	A	.28	.13	130	.21	.18	.16	.15
101-0461	A	.37	.13	130	.21	.18	.16	.15
101-0162	B	.17	.14	130	.23	.19	.18	.16
101-0262	B	.20	.14	130	.23	.19	.18	.16
101-0362	B	.28	.13	130	.24	.20	.18	.17
101-0462	B	.37	.13	130	.24	.20	.18	.17
101-0163	C	.12	.14	130	.31	.26	.23	.21
101-0263	C	.15	.14	130	.31	.26	.23	.21
101-0363	C	.23	.13	130	.32	.27	.24	.22
101-0463	C	.33	.13	130	.31	.26	.23	.21

MEC MICROMINIATURE KEYPAD SWITCHES

- Push stroke: 0.25±.1mm
- Momentary on
- All SPST
- PC and surface mount versions
- Suitable for flow and reflow soldering
- Breakdown voltage: 250VAC, 1 minute
- Contact resistance: 100mΩ max.

PC Mount

- Insulation resistance: >100MΩ @100VDC (min.)
- Contact bounce: 5m sec. max.

For quantities greater than listed, call for quote.

MOUSER STOCK NO.	Fig.	Dimensions (In.)		Operating Force (gf)	Price Each			
		H	D		1	10	100	500
Rating: 24VDC, 50mA Life cycles: 100,000 min. Temp. range: -25°C to +70°C								
101-0010	A	.17	.14	100	.30	.20	.18	.16
101-0011	A	.37	.14	160	.36	.24	.22	.20
101-0012	B	.17	.14	100	.36	.24	.22	.20
101-0013	D	.28	.14	100	.41	.32	.25	.23
Rating: 16VDC, 20mA Life cycles: 50,000 min. Temp. range: -20°C to +70°C								
101-0014	E	.20	.12	180	.41	.32	.25	.23

Surface Mount

- Rating: 15VDC, 20mA
- Insulation resistance: 50MΩ @ 100VDC min.
- Operating life cycles: 100,000 (min.)
- Contact bounce: 3m sec. max. (on), 10m sec. max. (off)
- Operating temperature range: -20°C to +70°C

To order reel add "REEL" to Mouser Stock No.

For quantities greater than listed, call for quote.

MOUSER STOCK NO.	Fig.	Operating Force (gf)	Price Each			Price Per Reel of 500
			1	10	100	
101-0015	F	130	.89	.73	.66	300.00

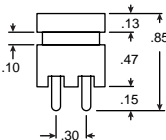
ILLUMINATED AND NON-ILLUMINATED MIDGET PC MOUNT PUSH BUTTON SWITCHES

Mountain Switch Features:

- Quality switch
- Removable cap
- Illuminated button colors: red, green, and yellow
- Non-illuminated button colors: red, black, and white
- Available with round or square caps

Specifications:

- Rating: 3A @ 125VAC
- Insulation resistance: 100MΩ (min.) @ 500VDC
- Breakdown voltage: 1000VAC for one minute
- Contact resistance: 20mΩ (max.) @ 1A/2.5VDC
- Mechanical life: 50,000 operations
- Illuminated switches: 2VDC LED luminous intensity @ 100µA (mcd): red 8.0 (typ.), green 8.0 (typ.), and yellow 4.0 (typ.)



DIMENSIONS (IN.)

Non-Illuminated Switches

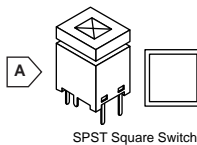
MOUSER STOCK NO.	Fig.	Color
Off-On		
107-DS662-3RED	A	Red
107-DS662-3BLK	A	Black
107-DS662-3WHT	A	White
107-DS662-1RED	B	Red
107-DS662-1BLK	B	Black
107-DS662-1WHT	B	White
Off-(On) () = Momentary Contact		
107-DS662-7RED	A	Red
107-DS662-7BLK	A	Black
107-DS662-7WHT	A	White
107-DS662-5RED	B	Red
107-DS662-5BLK	B	Black
107-DS662-5WHT	B	White

Illuminated Switches

MOUSER STOCK NO.	Fig.	Color
Off-On		
107-DS662-4RED	A	Red
107-DS662-4GRN	A	Green
107-DS662-4YEL	A	Yellow
107-DS662-2RED	B	Red
107-DS662-2GRN	B	Green
107-DS662-2YEL	B	Yellow
Off-(On) () = Momentary Contact		
107-DS662-8RED	A	Red
107-DS662-8GRN	A	Green
107-DS662-8YEL	A	Yellow
107-DS662-6RED	B	Red
107-DS662-6GRN	B	Green
107-DS662-6YEL	B	Yellow

For quantities greater than listed, call for quote.

Type	Price Each		
	1	10	100
Non-Illuminated			
Off-On	5.63	4.69	4.26
Off-(On)	4.82	4.02	3.65
Illuminated			
Off-On	7.87	6.56	5.96
Off-(On)	6.88	5.73	5.21



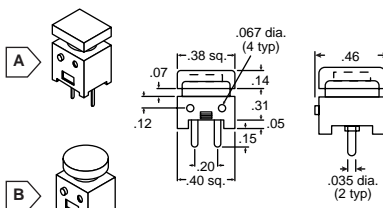
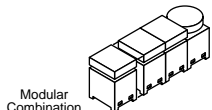
Mountain Switch MIDGET PUSH BUTTON SWITCHES

Specifications:

- Rating: 1A @ 125VAC
- Insulation resistance: 100MΩ (min.)
- PC terminals
- Contact resistance: 20mΩ (max.)
- Breakdown voltage: 1000VAC for one minute
- Reliability: 50,000 mechanical operations, 30,000 electrical operations
- Circuit: Off-(On), () = Momentary Contact

For quantities greater than listed, call for quote.

Type	Price Each		
	1	10	100
Soft Touch	1.91	1.59	1.44
Tactile Touch	2.00	1.67	1.51



Soft Touch

MOUSER STOCK NO.	Fig.	Button Color
Square		
10KB041	A	Red
10KB042	A	Black
10KB045	A	White
Round		
10KB021	B	Red
10KB022	B	Black
10KB025	B	White

Tactile Touch

MOUSER STOCK NO.	Fig.	Button Color
Square		
10KB031	A	Red
10KB032	A	Black
10KB035	A	White
Round		
10KB011	B	Red
10KB012	B	Black
10KB015	B	White

Security Switches and Components

DIMENSIONS (IN.)

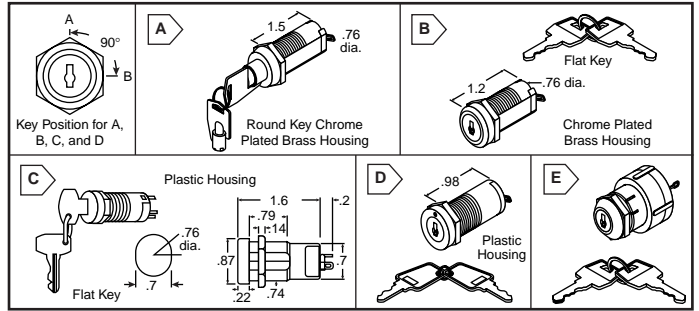
HIGH RELIABILITY SECURITY KEY SWITCHES

- Complete with two keys and mounting hardware
- Contact resistance: 20mΩ (max.)
- Life: 30,000 cycles
- Voltage breakdown: 1000VAC, 1 min.
- Insulation resistance: 100MΩ (min.)

Solder Tab Terminals

These are available keyed alike. Call for details. For quantities greater than listed, call for quote.

MOUSER STOCK NO.	Fig.	Type	AC Rating	Description Key Removable	Price Each		
					1	10	100
10KS181	A	SPDT	5A 125V/3A 250V	"A" position only	27.31	24.83	22.58
10KS182	A	SPDT	5A 125V/3A 250V	"A" & "B" positions	27.31	24.83	22.58
10KS183	B	SPDT	5A 125V/3A 250V	"A" position only	26.22	23.84	21.68
10KS184	B	SPDT	5A 125V/3A 250V	"A" & "B" positions	26.22	23.84	21.68
107-SS232	C	SPDT	3A 125V/1A 250V	"A" position only	20.87	18.98	17.25
107-SS233	C	SPDT	3A 125V/1A 250V	"A" & "B" positions	20.87	18.98	17.25
107-DS770R	D	SPST	3A 125V/1A 250V	"A" position only	12.58	11.44	10.40
107-DS771W	D	SPST	3A 125V/1A 250V	"A" & "B" positions	12.58	11.44	10.40



Key Blanks for Security Switches

For quantities greater than listed, call for quote.

MOUSER STOCK NO.	Fig.	Description	Price Each		
			1	10	25
107-0001	--	Key blank for 10KS183 and 10KS184 switches	5.67	5.15	4.68

SECURITY KEY SWITCHES

- Complete with 2 keys and mounting hardware
- Insulation resistance: 100MΩ
- Contact resistance: 20mΩ

MOUSER STOCK NO.	Fig.	Description	Price Each
105-4944	E	1 pole, 4 positions, solder terminals	close out 7.28
105-4925	E	2 poles, 2 positions, solder terminals	close out 7.28

MERCURY TILT SWITCHES

Specifications:

- Rating: 110VAC 500mA
- Contact resistance: 50mΩ
- Conductive angle: 5° to 10°
- Endurance: 100,000 times
- Contact material: special conductive material

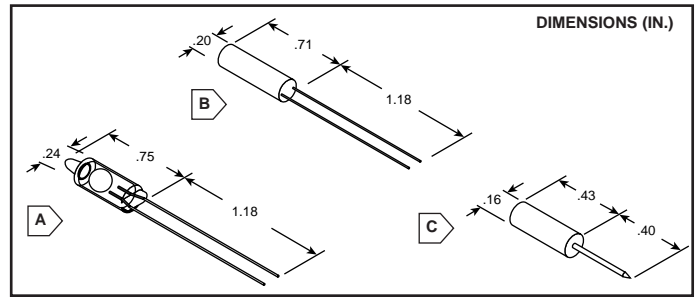
MOUSER STOCK NO.	Fig.	Description	Price Each			
			1	10	100	1000
107-1003	A	Glass tube, 2 leads	.66	.55	.49	.45
107-1001	B	Metal type, 2 leads	1.58	1.32	1.20	1.09

NON-MERCURY TILT SWITCH

Specifications:

- Maximum switch rating: 120V 10mA
- Contact resistance: 0.8Ω max.
- Differential angle: 15° max.

107-1002	C	Metal type, 1 lead	.84	.70	.63	.58
----------	---	--------------------	-----	-----	-----	-----



SURFACE MOUNT MAGNETIC CONTACTS

Micro Mini Contacts

- 12 inch leads AWG #22 (UL1061)
- Self adhesive and nail mount
- Switch Type: SPST N.C.
- Magnet: Alnico 5 - 1/8" dia. x 7/8" length

MOUSER STOCK NO.	Fig.	Color	Operating Gap (In.)	Price Each			
				1	10	50	100
507-AMS-9B	A	Brown	.50	2.24	2.10	2.03	1.96
507-AMS-9G	A	Gray	.50	2.24	2.10	2.03	1.96
507-AMS-9I	A	Ivory	.50	2.24	2.10	2.03	1.96

Mini Contact Snap-Off Tabs (Lead from Center)

- 24 inch leads AWG #22 (UL1061)
- Self adhesive and screw mount
- Magnet: Alnico 5 - 3/16" dia. x 1 3/16" length
- Switch type: SPST N.C.

507-AMS-10B	B	Brown	.75	2.38	2.24	2.17	2.03
507-AMS-10G	B	Gray	.75	2.38	2.24	2.17	2.03
507-AMS-10I	B	Ivory	.75	2.38	2.24	2.17	2.03
507-AMS-10W	B	White	.75	2.38	2.24	2.17	2.03

Mini Contact Snap-Off Tabs (Lead from Side) • Switch type: SPST N.C.

507-AMS-10BS	B	Brown	.75	2.38	2.24	2.17	2.03
507-AMS-10GS	B	Gray	.75	2.38	2.24	2.17	2.03
507-AMS-10IS	B	Ivory	.75	2.38	2.24	2.17	2.03
507-AMS-10WS	B	White	.75	2.38	2.24	2.17	2.03

Magnetic Reed Contacts

- Contact rating: 120VAC 30VA
- Contact max. current: 1A DC
- Switch type: SPST N.C.
- Operating temperature: -20°C to +95°C
- Magnet: Ferrite 3/8" x 3/8" x 1 13/16" length N.C.

507-AMS-39	C	Ivory	.50	2.80	2.73	2.55	2.40
507-AMS-39B	C	Brown	.75	2.80	2.73	2.55	2.40
507-AMS-39G	C	Gray	.75	2.80	2.73	2.55	2.40
507-AMS-39W	C	White	.75	2.80	2.73	2.55	2.40
507-AMS-37	D	Gray	2.0	5.63	5.49	5.28	4.93
507-AMS-37B	D	Brown	2.0	5.63	5.49	5.28	4.93

Magnet Contact with Cover • Magnet: alnico 5 - 1/4" dia. x 1 13/16" length • Type: SPST N.C.

507-AMS-50CVB	E	Brown	.75	2.81	2.64	2.55	2.47
507-AMS-50CVG	E	Gray	.75	2.81	2.64	2.55	2.47
507-AMS-50CVI	E	Ivory	.75	2.81	2.64	2.55	2.47
507-AMS-51CVW	E	White	.75	2.81	2.64	2.55	2.47

PRESS FIT RECESSED MAGNETIC CONTACTS

3/8" Mini Contact

- 12" lead AWG #22 (UL1061)
- Magnet: Alnico 5 - 1/4" dia. x 5/8" length
- Switch Type: SPST N.C.

507-AMS-17B	F	Brown	.3125	2.72	2.56	2.48	2.39
507-AMS-17I	F	Ivory	.3125	2.72	2.56	2.48	2.39
507-AMS-17W	F	White	.3125	2.72	2.56	2.48	2.39

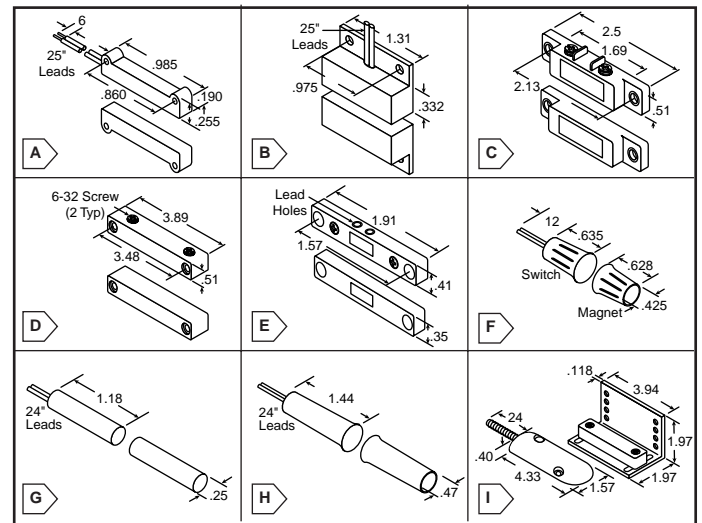
3/8" Recessed Contact

- 24" lead AWG #22 (UL1061)
- Switch type: SPST N.C.
- Magnet: Bare Alnico 5 - 1/4" dia. x 1 3/16" length

507-AMS-21B	H	Brown	.75	2.55	2.45	2.40	2.20
507-AMS-21I	H	Ivory	.75	2.55	2.45	2.40	2.20



DIMENSIONS (IN.)



PRESS FIT RECESSED MAGNETIC CONTACTS (Cont.)

1/4" Mini Contact

- 24" lead AWG #22 (UL1061)
- Magnet: Bare Alnico 5 - 1/4" dia. x 1 3/16" lth
- Switch type: SPST N.C.

MOUSER STOCK NO.	Fig.	Color	Operating Gap (In.)	Price Each			
				1	10	50	100
507-AMS-20B	G	Brown	.75	2.47	2.32	2.25	2.10
507-AMS-20G	G	Gray	.625	2.47	2.32	2.25	2.10
507-AMS-20I	G	Ivory	.75	2.47	2.32	2.25	2.10
507-AMS-20W	G	White	.625	2.47	2.32	2.25	2.10

OVERHEAD DOOR CONTACT

- Magnet mounted on adjustable "L" angle bracket 24" stainless armored cable

MOUSER STOCK NO.	Fig.	Description	Operating Gap (In.)	Price Each			
				1	10	50	100
507-ODC-59A	I	SPST, N/C loop	2.0	12.29	11.55	11.18	10.80
507-ODC-59B	I	SPDT, N/O, N/C loop	2.0	14.32	13.43	12.98	12.53



MINIATURE BINARY-CODED ROTARY SWITCHES

True

MOUSER STOCK NO.	Position	Code			
		1	2	4	8
(A) (B)	0				
	1	*	*	*	*
	2	*	*	*	*
	3	*	*	*	*
	4	*	*	*	*
	5	*	*	*	*
	6	*	*	*	*
	7	*	*	*	*
	8	*	*	*	*
	9	*	*	*	*
	A	*	*	*	*
	B	*	*	*	*
	C	*	*	*	*
	D	*	*	*	*
	E	*	*	*	*
	F	*	*	*	*

Compliment

MOUSER STOCK NO.	Position	Code			
		1	2	4	8
(C) (D)	0	*	*	*	*
	1	*	*	*	*
	2	*	*	*	*
	3	*	*	*	*
	4	*	*	*	*
	5	*	*	*	*
	6	*	*	*	*
	7	*	*	*	*
	8	*	*	*	*
	9	*	*	*	*
	A	*	*	*	*
	B	*	*	*	*
	C	*	*	*	*
	D	*	*	*	*
	E	*	*	*	*
	F	*	*	*	*

Specifications:

- Rating: 50VDC @ 100mA (non-switching)
5VDC @ 100mA (switching)
- Contact resistance: 100mΩ (max.)
- Breakdown voltage: 250VAC
- Insulation resistance: 1000MΩ (min.)

Features:

- Miniature size
- DIP mounting
- Gold-plated contacts
- O-ring flex seal
- High rel/high stability
- True and compliment output series
- BCD and hex code configuration

For quantities greater than listed, call for quote.

MOUSER STOCK NO.	Fig.	No. of Positions	Code Configuration	Price Each		
				1	10	25
106-MS830-10RS	A	10 (B)	True binary-coded decimal	7.59	6.32	5.75
106-MS830-10CS	A	10 (D)	Comp. binary-coded decimal	7.59	6.32	5.75
106-MS830-16RS	B	16 (A)	True binary-coded hexadecimal	7.84	6.53	5.94
106-MS830-16CS	B	16 (C)	Comp. binary-coded hexadecimal	7.84	6.53	5.94

MINIATURE BINARY-CODED ROTARY SWITCHES

Contacts are gold plated for high reliability and hermetically sealed to insure protection against dust, gas, and most cleaning solvents.

Specifications:

- Rating: 50VDC @ 100mA (non-switching)
5VDC @ 100mA (switching)
- Contact resistance: 100mΩ (max.)
- Operating temperature: -25°C to 70°C
- Insulation resistance: 100MΩ (min.)
- Hermetically sealed switches

For quantities greater than listed, call for quote.

MOUSER STOCK NO.	Fig.	No. of Positions	Code Configuration	Price Each		
				1	10	50
106-V110	C	10 (B)	True binary-coded decimal	8.43	7.03	6.39
106-V120	C	10 (D)	Comp. binary-coded decimal	8.43	7.03	6.39
106-V610	D	16 (A)	True binary-coded hexadecimal	8.43	7.03	6.39
106-V620	D	16 (C)	Comp. binary-coded hexadecimal	8.43	7.03	6.39

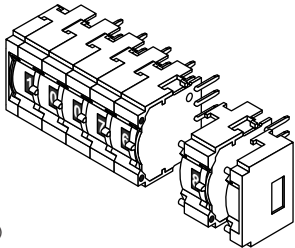
MINIATURE THUMBWHEEL SWITCHES

Features:

- PC mounting
- True output
- Black color

Electrical Specifications:

- Rating: switching load capacity 28V/50mA DC (resistive load)
- Continuous current: 100mA (max.)
- Contact resistance: (initial): 250mΩ (max.)
- Insulation resistance: 100MΩ (min.)
- Breakdown voltage: 250VAC



Truth Table

Dial	Terminal Connected to Common			
	8	4	2	1
0				
1	*	*	*	*
2	*	*	*	*
3	*	*	*	*
4	*	*	*	*
5	*	*	*	*
6	*	*	*	*
7	*	*	*	*
8	*	*	*	*
9	*	*	*	*

For quantities greater than listed, call for quote.

MOUSER STOCK NO.	Fig.	Description	Price Each		
			1	10	100
106-9801	E	Single section, decimal switch	6.66	5.55	5.05
106-9802	F	Flush mount end plate, left	.72	.60	.54
106-9803	G	Flush mount end plate, right	.72	.60	.54
106-9804	H	Rear mount end plate, left	.72	.60	.54
106-9805	I	Rear mount end plate, right	.72	.60	.54

HEXADECIMAL PUSHWHEEL SWITCHES AND ACCESSORIES

Mechanical Specifications:

- Mechanical life: 200,000 operations
- Electrical life: 100,000 operations
- Operating temperature: -20°C to +65°C

Features:

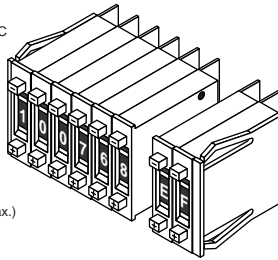
- Pushwheel actuation
- Front mounting
- Hexadecimal switch
- Snap fit connects and mounts easily without rods or nuts
- Easy to read numbers
- Termination: PCB with solder holes

Electrical Specifications:

- Operating voltage: 50VAC/28VDC (max.)
- Switching current: 100mA (max.)
- Carrying current: 1A (max.)
- Contact resistance: 200mΩ (max.)
- Insulation resistance: between common and any output: 10MΩ (min.)
between output and non-carrying part: 1000MΩ (min.)
Breakdown voltage (for 1 minute): between common and any output: 800VAC
between output and non-carrying part: 1000VAC

Material:

- Housing, blanks, endcaps, wheels, and pushwheel: black thermoplastic
- Contacts: hard gold on phosphor bronze
- Printed circuit boards: hard gold over nickel plate on .031" epoxy laminate



Truth Table

Wheel	C Connected to Terminals				
	1	2	4	8	C
0					
1	*	*	*	*	*
2	*	*	*	*	*
3	*	*	*	*	*
4	*	*	*	*	*
5	*	*	*	*	*
6	*	*	*	*	*
7	*	*	*	*	*
8	*	*	*	*	*
9	*	*	*	*	*
A	*	*	*	*	*
B	*	*	*	*	*
C	*	*	*	*	*
D	*	*	*	*	*
E	*	*	*	*	*
F	*	*	*	*	*

A DIMENSIONS (IN.)

B DIMENSIONS (IN.)

C DIMENSIONS (IN.)

D DIMENSIONS (IN.)

E DIMENSIONS (IN.)

F DIMENSIONS (IN.)

G DIMENSIONS (IN.)

H DIMENSIONS (IN.)

I DIMENSIONS (IN.)

A DIMENSIONS (IN.)

B DIMENSIONS (IN.)

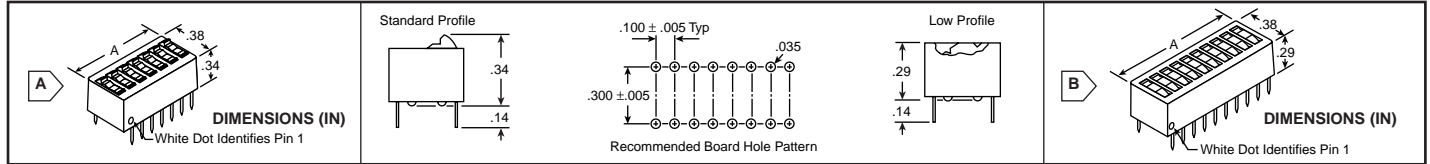
C DIMENSIONS (IN.)

For quantities greater than listed, call for quote.

MOUSER STOCK NO.	Fig.	Description	Price Each		
			1	10	50
106-9904	A	Single section, hexadecimal switch	6.77	6.15	5.59
106-9901	B	Standard width end cap, right	.69	.55	.48
106-9902	C	Standard width end cap, left	.69	.55	.48
106-9903	C	Standard width blank	1.43	1.19	1.09

AMP DIP Switches and Shunts

DIP SWITCHES STANDARD 7100 SERIES



STANDARD PROFILE

Bottom Sealed

MOUSER STOCK NO.	Fig.	Dimension "A"	No. of Positions	Price Each				Call For Quote
				1	10	50	100	
571-24356409	A	.28	2	1.32	1.26	1.20		
571-34356400	A	.38	3	1.37	1.32	1.26		
571-4356402	A	.48	4	1.38	1.27	1.15		
571-4356403	A	.58	5	1.41	1.29	1.15		
571-4356404	A	.68	6	1.44	1.32	1.20		
571-4356401	A	.78	7	1.47	1.35	1.22		
571-4356405	A	.88	8	1.50	1.38	1.25		
571-4356406	A	.98	9	1.50	1.38	1.25		
571-4356407	A	1.08	10	1.53	1.40	1.28		
571-34356402	A	1.28	12	2.25	2.06	1.76		

Top Tape Sealed; Bottom Sealed

MOUSER STOCK NO.	Fig.	Dimension "A"	No. of Positions	Price Each				Call For Quote
				1	10	50	100	
571-34356403	A	.28	2	1.41	1.30	1.18		
571-34356404	A	.38	3	1.42	1.31	1.19		
571-34356405	A	.48	4	1.44	1.32	1.20		
571-34356406	A	.58	5	1.47	1.35	1.22		
571-34356407	A	.68	6	1.50	1.38	1.25		
571-34356408	A	.78	7	1.53	1.40	1.28		
571-34356409	A	.88	8	1.56	1.43	1.30		
571-44356400	A	.98	9	1.59	1.46	1.32		
571-44356401	A	1.08	10	1.59	1.46	1.32		

Current/voltage rating: Non-switching-1.0A max. @ 40VDC switching-60mA max. @ 5 VDC (resistive load)
Dielectric withstanding voltage: 500VDC min. at standard atmospheric conditions
Capacitance: 5pF max.
Housing: Glass-filled polyester, UL 94V-0 rated, blue
Rocker: Polyester UL 94V-0 rated, white
Spring contacts and leads: Copper alloy with gold over nickel plating

LOW PROFILE

Bottom Sealed

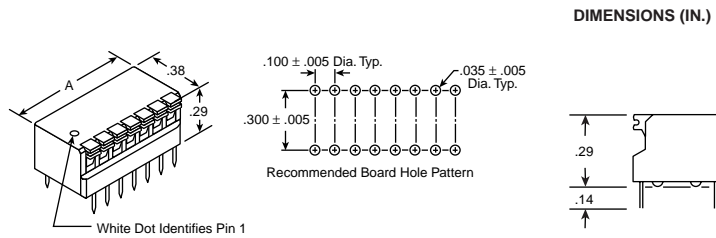
MOUSER STOCK NO.	Fig.	Dimension "A"	No. of Positions	Price Each				Call For Quote
				1	10	50	100	
571-4356683	B	.48	4	1.50	1.38	1.25		
571-4356684	B	.58	5	1.53	1.40	1.28		
571-4356685	B	.68	6	1.59	1.46	1.32		
571-4356686	B	.78	7	1.59	1.46	1.32		
571-4356687	B	.88	8	1.65	1.51	1.38		
571-4356689	B	1.08	10	1.68	1.54	1.40		

Top Tape Sealed; Bottom Sealed

MOUSER STOCK NO.	Fig.	Dimension "A"	No. of Positions	Price Each				Call For Quote
				1	10	50	100	
571-34356684	B	.48	4	1.59	1.46	1.32		
571-34356685	B	.58	5	1.59	1.46	1.32		
571-24356685	B	.68	6	1.65	1.51	1.38		
571-24356687	B	.78	7	1.68	1.54	1.40		
571-24356688	B	.88	8	1.74	1.60	1.45		
571-24356689	B	.98	9	1.77	1.62	1.48		
571-34356680	B	1.08	10	1.86	1.65	1.52		

DIP SWITCHES PREMIUM 7000 SERIES

Current and voltage rating: Non-switching-1.0A max. @ 50VDC switching-100mA max. @ 5VDC (resistive load)
Dielectric withstanding voltage: 500 VDC min. at standard atmospheric conditions
Capacitance: 5pF max.
Housing: Glass-filled polyester, UL 94V-0 rated, blue
Rocker: Polyester UL 94V-0 rated, white
Spring contacts and leads: Beryllium copper alloy with gold over nickel plating in contact area and leads plated to meet AMP solderability specifications 109-11-5



Bottom Sealed

MOUSER STOCK NO.	Dimension "A"	No. of Positions	Price Each				Call For Quote
			1	10	50	100	
571-14358020	.28	2	1.89	1.74	1.58		
571-4358022	.38	3	1.94	1.78	1.62		
571-4358023	.48	4	1.98	1.82	1.65		
571-4358024	.58	5	2.04	1.87	1.70		
571-4358025	.68	6	2.04	1.87	1.70		
571-4358026	.78	7	2.07	1.90	1.72		
571-4358021	.88	8	2.13	1.95	1.78		
571-4358027	.89	9	2.16	1.98	1.80		
571-4358028	1.08	10	2.19	2.01	1.82		

Top Tape Sealed; Bottom Sealed

MOUSER STOCK NO.	Dimension "A"	No. of Positions	Price Each				Call For Quote
			1	10	50	100	
571-14358023	.48	4	2.61	2.40	2.18		
571-14358024	.38	3	2.66	2.44	2.22		
571-14358025	.48	4	2.10	1.93	1.75		
571-14358026	.58	5	2.13	1.95	1.78		
571-14358027	.68	6	2.16	1.98	1.80		
571-14358028	.78	7	2.19	2.01	1.82		
571-4358029	.88	8	2.22	2.04	1.85		
571-4358029	.98	9	2.28	2.09	1.90		
571-24358020	1.08	10	2.31	2.12	1.92		
571-24358022	1.28	12	3.47	3.19	2.90		

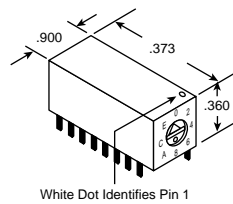
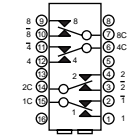
PREPROGRAMMED DIP SWITCHES

The AMP preprogrammed PC board switches feature four form "C" switches operated by encoded cams and packaged in one DIP configuration.

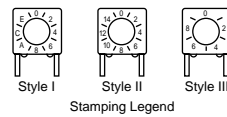
Specifications:

- Voltage rating: 120Vrms max.
- Current rating: 1 amp max.
- Volt-amp rating: 2.8 max.
- Contact resistance: 100mΩ max.
- Life expectancy: 500 revolutions

Pin Configuration Schematic (Position 0)



DIMENSIONS (IN.)



Truth Table (BCD and BCD Complement)

Switch Position	8	4	2	1	8	4	2	1
0					•	•	•	•
1				•	•	•	•	
2		•	•	•	•	•	•	
3		•	•	•	•	•	•	
4	•	•	•	•	•	•	•	
5	•	•	•	•	•	•	•	
6	•	•	•	•	•	•	•	
7	•	•	•	•	•	•	•	
8	•	•	•	•	•	•	•	
9	•	•	•	•	•	•	•	
10 or A	•	•	•	•	•	•	•	
11 or B	•	•	•	•	•	•	•	
12 or C	•	•	•	•	•	•	•	
13 or D	•	•	•	•	•	•	•	
14 or E	•	•	•	•	•	•	•	
15 or F	•	•	•	•	•	•	•	

•-Connection

7600 SERIES DIP SHUNTS

Specifications:

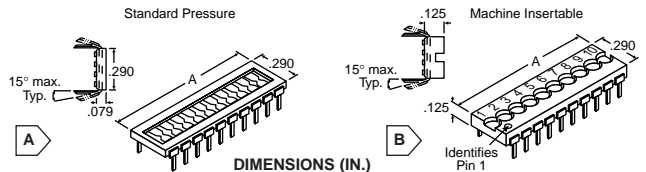
- Current rating per shunt: Standard pressure: 2 amps
Machine insertable: 1 amp
- Insulation resistance: 1x10¹⁰ Ω min at 100VDC
- Dielectric withstanding voltage: 500VDC min.

Standard Pressure

MOUSER STOCK NO.	Fig.	No. of Positions	Dimension "A"	Price Each				Call For Quote
				1	10	50	100	
571-4357044	A	4	.400	.45	.41	.37		
571-4357047	A	7	.700	.85	.80	.77		
571-4357048	A	8	.800	.56	.51	.46		
571-4357049	A	9	.900	.59	.54	.49		
571-14357040	A	10	1.000	.62	.56	.51		
571-14357042	A	11	1.200	.67	.61	.55		

Machine Insertable

MOUSER STOCK NO.	Fig.	No. of Positions	Dimension "A"	1	10	50	100	Call
571-4368607	B	8	.800	.55	.50	.45		Call

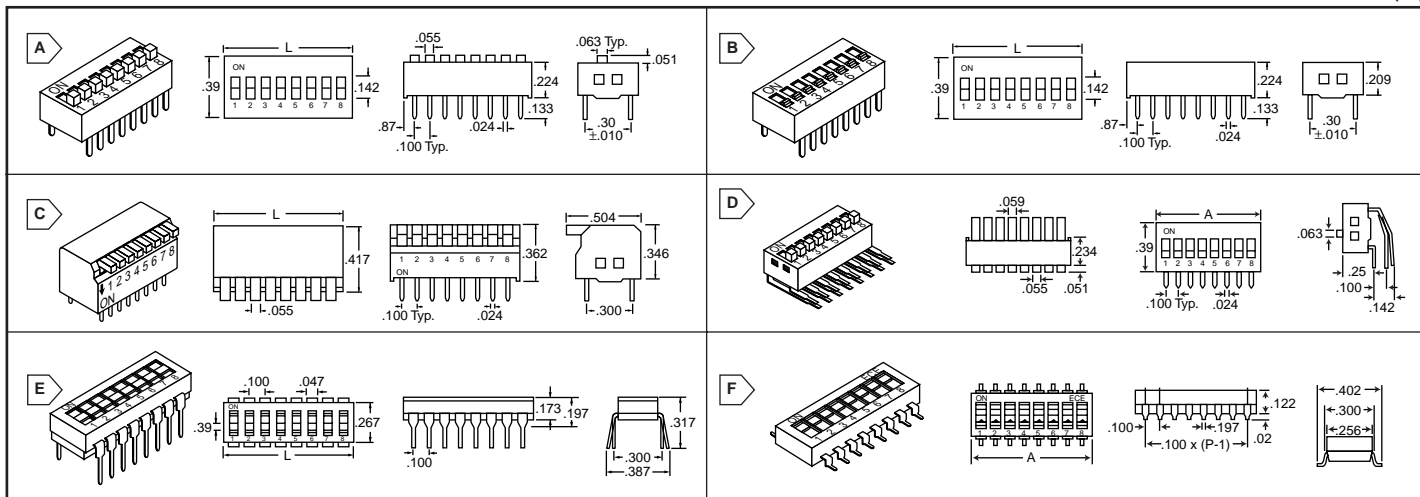


Programming Hand Tool

MOUSER STOCK NO.	Description	Price Each	
		1	6
571-4358621	For standard pressure shunts	35.36	33.15

DIP Switches

DIMENSIONS (IN.)



HI-REL STANDARD DIP SWITCHES

Features:

- Mechanical life: 10,000 operation min. per switch
- Electrical life: 5000 operation min. per switch 50mA, 24VDC
- Operation force: less than 800g
- Non-switching: 100mA, 50VDC
- Switching: 50mA, 24VDC
- Circuit: single pole single throw

MOUSER STOCK NO.	Fig.	No. of Positions	Circuit	Length (In.)	Price Each			
					1	10	50	100
106-1202	A	2	SPST	.239	1.08	.99	.94	Call For Quote
106-1204	A	4	SPST	.439	1.13	1.09	1.02	
106-1206	A	6	SPST	.639	1.22	1.12	1.07	
106-1208	A	8	SPST	.839	1.31	1.16	1.10	

LOW PROFILE DIP SWITCHES

MOUSER STOCK NO.	Fig.	No. of Positions	Circuit	Length (In.)	Price Each			
					1	10	50	100
106-1214	B	4	SPST	.439	1.13	1.09	1.02	Call
106-1218	B	8	SPST	.839	1.31	1.16	1.10	

SIDE ACTUATED DIP SWITCHES

Features:

- Mechanical life: 5,000 operation min. per switch
- Electrical life: 2000 operation min. per switch 50mA, 24VDC
- Operation force: 400g ±200g
- Non-switching: 100mA, 50VDC
- Switching: 50mA, 24VDC
- Circuit: single pole single throw

MOUSER STOCK NO.	Fig.	No. of Positions	Circuit	Length (In.)	Price Each			
					1	10	50	100
106-1234	C	4	SPST	.446	1.49	1.37	1.30	Call
106-1238	C	8	SPST	.846	1.70	1.53	1.46	

RIGHT ANGLE DIP SWITCHES

Specifications:

- Mechanical life: 10,000 operation min. per switch
- Electrical life: 5,000 operation min. per switch 50mA, 24VDC
- Operation force: less than 800g
- Non-Switching rating: 100mA, 50VDC
- Switching: 50mA, 24VDC

MOUSER STOCK NO.	Fig.	No. of Positions	Circuit	Dimension "A" (In.)	Price Each			
					1	10	50	100
106-1254	D	4	SPST	.439	1.75	1.63	1.52	Call
106-1258	D	8	SPST	.839	2.16	1.80	1.64	

MACHINE INSERTABLE ULTRA-LOW PROFILE DIP SWITCHES

Features:

- Splay terminals allow for automatic insertion by IC insertion machine
- Recessed actuator for low profile
- Double contact offers high reliability
- Insert molding of terminals and ultra-sonic welding improve flux proofness

Mechanical Specifications:

- Mechanical life: 5,000 operation per switch
- Operation force: less than 800g
- Stroke: 1.0mm
- Operation method: slide
- Operation temperature: -40°C to +85°C
- Storage temperature: -40°C to +85°C

Electrical Specifications:

- Electrical life: 2000 operation min. per switch-24VDC
- Non-switching rating: 100mA, 50VDC
- Switching rating: 50mA, 24VDC
- Contact resistance: 30mΩ max. initial 100mΩ max. at end of life
- Insulation resistance: 100M min. at end of life
- Dielectric strength: 500VDC / 1 minute
- Capacitance: 5pF max. between adjacent closed switch. Frequency 1MHz
- Circuit: single pole single throw

MOUSER STOCK NO.	Fig.	No. of Positions	Circuit	Length (In.)	Price Each			
					1	10	100	500
106-1222	E	2	SPST	.198	1.35	1.13	1.02	Call For Quote
106-1224	E	4	SPST	.398	1.40	1.27	1.16	
106-1226	E	6	SPST	.598	1.73	1.44	1.31	
106-1228	E	8	SPST	.880	1.49	1.35	1.29	

SURFACE MOUNT DIP SWITCHES

Features:

- End stackable for standard 0.1" IC pitch
- Molded 0.3" IC packing outline for automatic insertion
- Top tape sealed
- Materials: UL 94V-0 grade fire retardant plastics
- Contacts: gold plated
- Terminal: tin plated

Electrical Specifications:

- Contact rating: Switching: 25mA, 24VDC Non-switching: 100mA, 50VDC
- Contact resistance: Initial: 50mΩ max. After life test: 100mΩ max.
- Insulation resistance: 1,000MΩ min. @ 100VDC
- Dielectric strength: 500VDC min. for 1 minute
- Capacitance between adjacent switches: 5pF max.

Mechanical and Environmental Specifications:

- Operating temperature: -25°C to +70°C
- Storage temperature: -40°C to +85°C
- Operation force: 800g max.
- Operation life: 2,000 operations
- Solderability: after flux 230 ± 5°C for 5 ± 0.5 second 95% coverage

MOUSER STOCK NO.	Fig.	No. of Positions	Circuit	Dimension "A" (In.)	Price Each			
					1	10	50	100
106-1242	F	2	SPST	.198	1.58	1.46	1.35	Call For Quote
106-1244	F	4	SPST	.398	1.74	1.60	1.48	
106-1246	F	6	SPST	.598	1.79	1.65	1.57	
106-1248	F	8	SPST	.798	1.86	1.71	1.63	

Mountain Switch HI-REL SINGLE CIRCUIT DIP SWITCH

Leads are on 0.3" standard spacing centers. This DIP switch is sealed at the base with a thermo-setting plastic to provide complete protection against solder flux contamination.

Specifications:

- Operation force: 3.5 to 28 oz.
- Stroke: .078 ± .02
- Non-switching: 50VDC @ 500mA
- Switching: 24VDC @ 300mA
- Contact resistance: 50mΩ (max.)
- Insulation resistance: 100MΩ (min.) between terminals
- Breakdown voltage: 500VDC for one minute
- Operation temperature: -20°C to +60°C

MOUSER STOCK NO.	Circuit	Length (In.)	Price Each			
			1	10	50	100
10JS001	SPST	.19	2.86	2.39	2.17	Call

